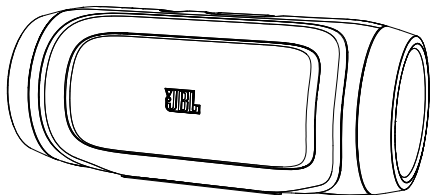


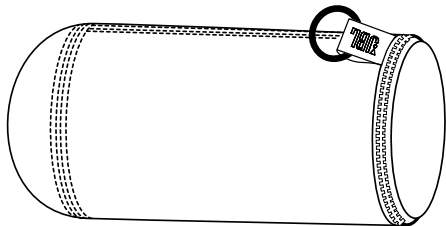
JBL® CHARGE

Quick-Start Guide

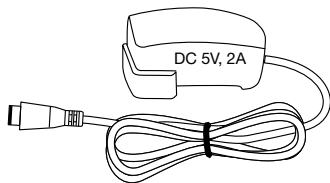




1x



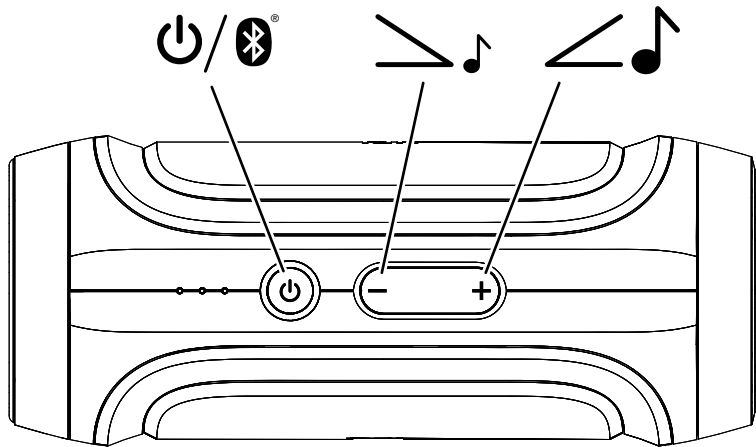
1x

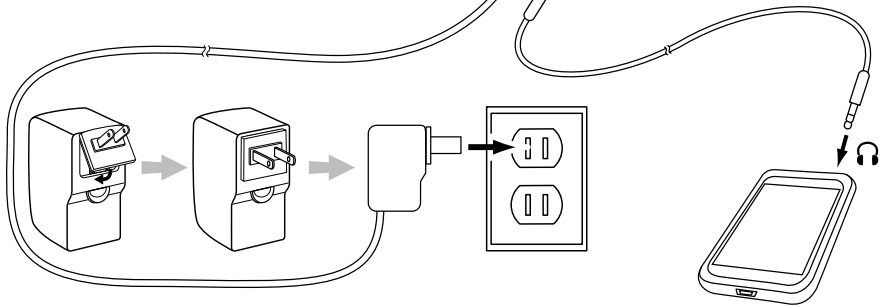
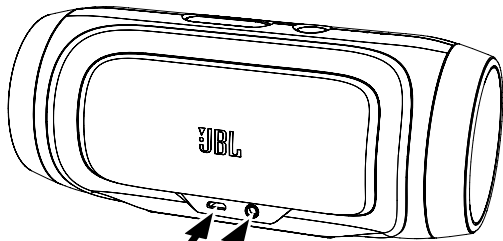


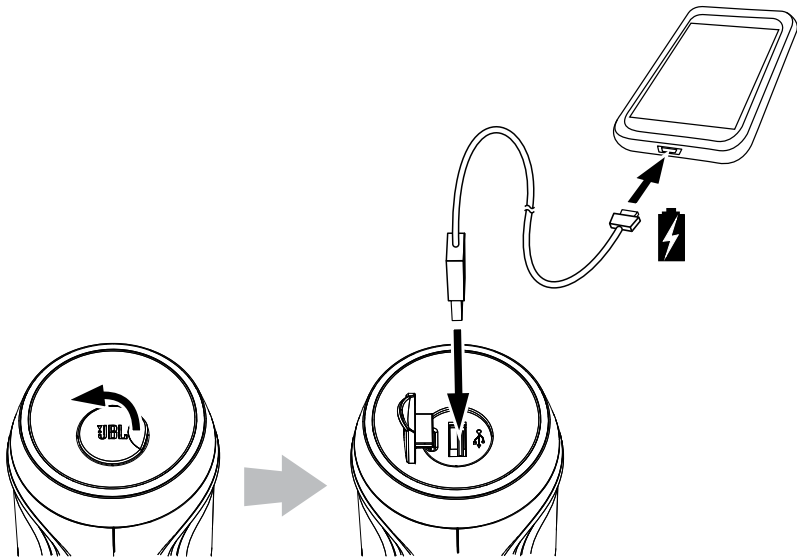
1x



1x







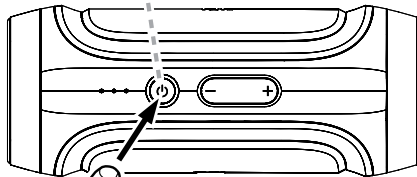


1.



Blue/Red
Bleu/Rouge
Blu/Rosso
Blau/Rot
Azul/Rojo
Blauw/Rood
azul/vermelho
Blå/röd

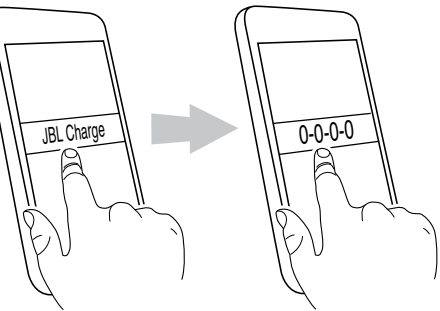
Blåt/Rødt
Sininen/Punainen
Blått/rødt
Синий/красный
蓝色/红色
파랑/빨강
青/赤



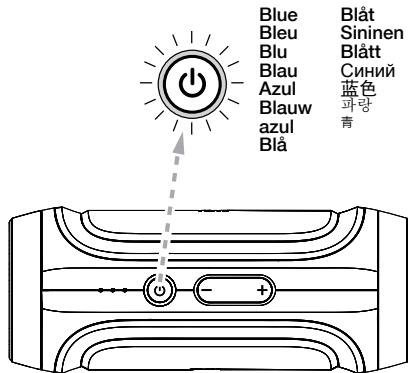
3 seconds

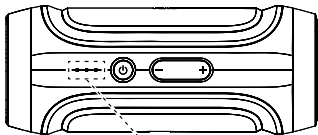
2.



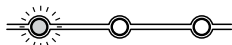


3.



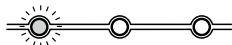


Battery
needs charging



Flashing red

Battery
level low



Continuous blue

Battery
level medium

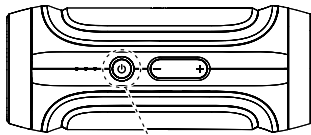


Continuous blue

Battery
level high



Continuous blue



Unit is off



Unit is on;
no *Bluetooth*[®]
connection



Flashing blue

Unit is on;
Bluetooth
pairing



Flashing blue/red

Unit is on;
Bluetooth
connection



Continuous blue

SPECIFICATIONS

Transducers: 2 x 1-1/2" (38mm)

Amplifier power: 2 x 5W

Frequency response: 150Hz – 20kHz

Signal-to-noise ratio: >80dB

Battery type: Li-ion rechargeable

Bluetooth transmitter frequency range: 2.402 – 2.480GHz

Bluetooth transmitter power: 0 ~ 4dBm

Bluetooth transmitter modulation: $\pi/4$ -DQPSK, 8-DPSK

Listening time on battery power: >12 hours

Battery charge time: 3.5 hours

Dimensions (Dia x H): 2-29/32" x 6-29/32"
(74mm x 175mm)

SPÉCIFICATIONS

Transducteurs : 2 x 1-1/2 po (38mm)

Puissance d'amplificateur : 2 x 5W

Courbe de résonance : 150Hz – 20kHz

Rapport signal sur bruit : >80dB

Type de batterie : Li-ion rechargeable

Plage de fréquence de l'émetteur *Bluetooth* : 2.402 – 2.480GHz

Puissance de l'émetteur *Bluetooth* : 0 ~ 4dBm

Modulation de l'émetteur *Bluetooth* : $\pi/4$ -DQPSK, 8-DPSK

Autonomie d'écoute : >12 heures

Durée de charge : 3.5 heures

Dimensions (Dia x H) : 74mm x 175mm
(2-29/32 po x 6-29/32 po)



HARMAN

HARMAN International Industries, Incorporated
8500 Balboa Boulevard, Northridge, CA 91329 USA

www.jbl.com

© 2013 HARMAN International Industries, Incorporated. All rights reserved. JBL is a trademark of HARMAN International Industries, Incorporated, registered in the United States and/or other countries. The *Bluetooth* word mark and logos are registered trademarks owned by Bluetooth SIG, Inc. and any use of such marks by HARMAN International Industries, Incorporated, is under license.

Features, specifications and appearance are subject to change without notice.

Part #: 950-0479-001 Rev. A