



# MTC-CBT-SUS3

## Suspension Bracket for CBT Speakers

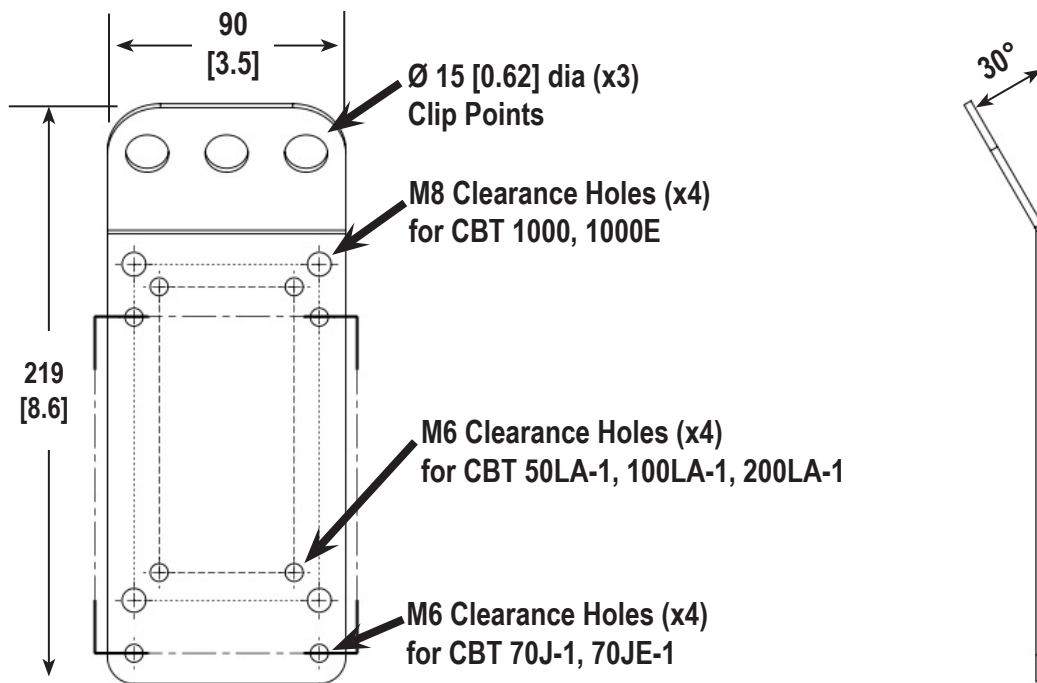
**CAUTION:**  
**Installation must be done by qualified persons using safe rigging standards.**

The installer is responsible for proper selection and use of mounting hardware to properly and safely suspend the speakers.

**Included:**

- 2 x MTC-CBT-SUS Brackets
- 8 x M6 x 20 mm PAN HEAD BOLTS (for CBT 50LA-1, 100LA-1, 200LA-1, 70J-1, 70JE-1)
- 8 x M8 x 20 mm PAN HEAD BOLTS (for CBT 1000, 1000E back panel)
- 8 x M8 x 40 mm PAN HEAD BOLTS (for CBT 1000, 1000E top or bottom end-cap)
- 8 x M6 FLAT WASHERS and 8 x M6 LOCK WASHERS
- 8 x M8 FLAT WASHERS and 8 x M8 LOCK WASHERS

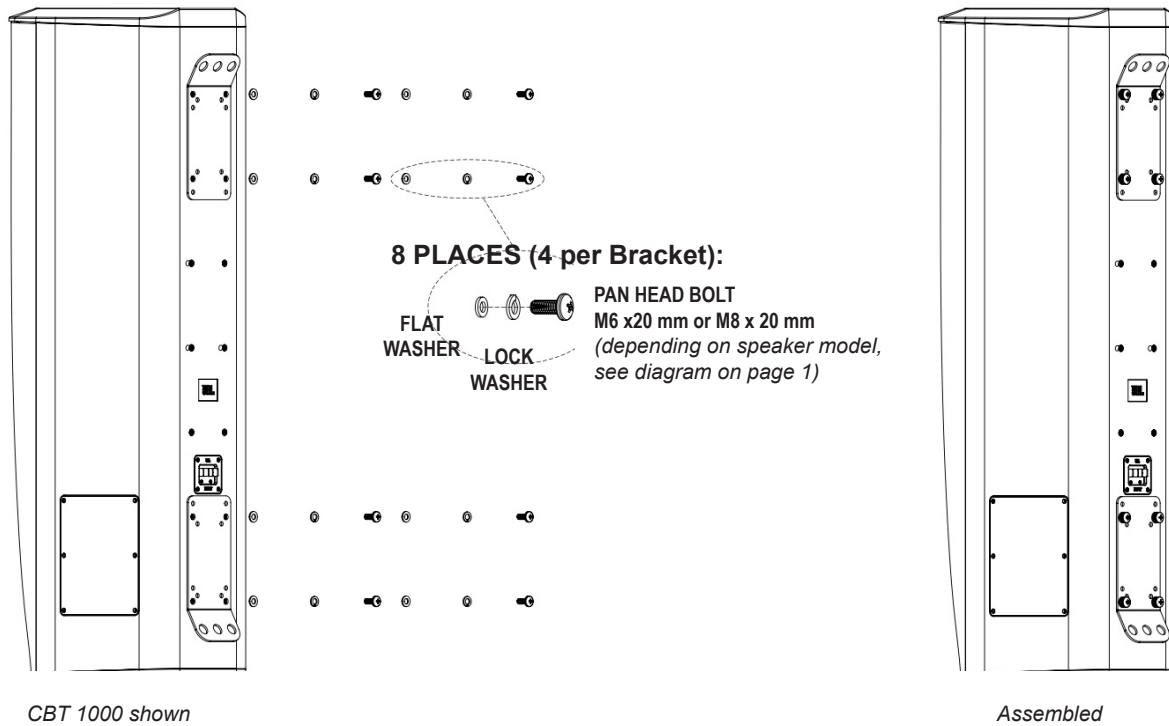
**Step 1:** Find the locations of the mounting hole pattern on the bracket that correspond with the specific CBT loudspeaker model. Note the correct hardware size (M8 or M6) that correspond with that model.



Dims in mm [in]

**Step 2:** Position the brackets on the back of the speaker so they use the four insert points closest to the top and bottom of the box (see drawing). Make sure that the flat washers and the lock washers included are used as shown. Utilize 4 bolts per bracket (total of 8 bolts for top and bottom bracket).

When the speaker is installed in upright orientation, orient the 15 mm (0.62 in) Clip Points (on the 30 degree bend of each bracket) at the top for the top bracket (as the main load points) and at the bottom for the bottom bracket (as a pull back for aiming). For other orientations, consult a licensed structural engineer.



**Step 3:** Suspend the attached suspension bracket system via the 15 mm (0.62 in) Clip Points located on the 30 degree bend on each bracket.

Be sure to consult the building codes in your area to determine the proper materials and methods. Be sure the building's structural mounting points are capable of supporting the weight of the speaker assembly with the required safety ratio. If you have any doubts about the materials, methods, or structural capability, consult with a licensed structural engineer.

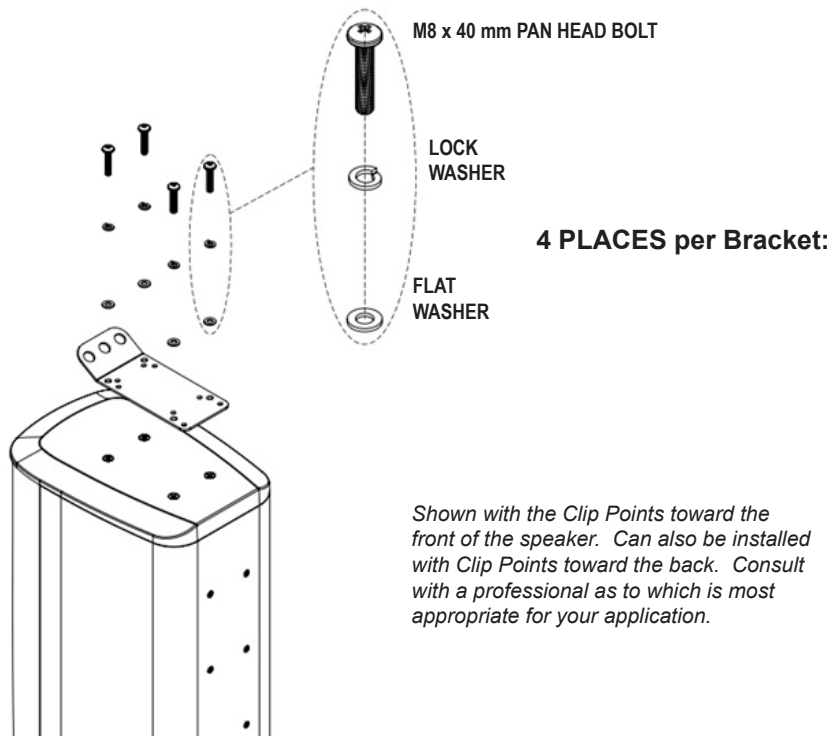
## For Mounting MTC-CBT-SUS3 On Top and Bottom of CBT 1000 Speaker or CBT 1000+1000E System

The MTC-CBT-SUS3 suspension bracket can be mounted to the top and bottom of the CBT 1000 and CBT 1000 + 1000E System if desired. Special hardware is included in the kit that is designed for use with this bracket mounting place (M8 x 40 mm x8) and it is the only hardware that can be used for this purpose.

Orienting the top bracket with the Clip Points toward the front of the speaker, the speaker will tend to tilt slightly forward, allowing full adjustability of the tilt-back angle using the second bracket at the bottom of the back panel of the speaker, or using the second bracket on the bottom end-cap with the Clip Points toward the back of the speaker.

**Step 1:** Remove the four screws on the top and bottom end caps from the CBT 1000 (or the top end cap from the CBT 1000 and the bottom end cap from the CBT 1000E if you are preparing to mount the system after you have attached the two speakers with the connector plate).

**Step 2:** Use the M8 x 40 mm PAN HEAD BOLTS to secure the MTC-CBT-SUS3 brackets to the top and/or bottom of the plastic end cap, as shown.



**Step 3:** Suspend the attached suspension bracket system via the 15 mm (0.62 in) Clip Points located on the 30 degree bend on each bracket. Be sure to consult the building codes in your area to determine the proper materials and procedures.

**Caution:** Be sure the building's structural mounting points are structurally capable of supporting the weight of the speaker assembly with the required safety ratio. If you have any doubts about the capability, supplies, or method, consult with a licensed suspension expert.



**JBL Professional**  
**8500 Balboa Blvd.**  
**Northridge, CA 91329**  
**U.S.A.**