

JBL

GTO



Grand Touring® Series

GTO320, GTO420, GTO6420, GTO520, GTO620, GTO630, GTO7520, GTO920, GTO930
Owner's Manual



Thank you for purchasing JBL's Grand Touring Series multielement automotive loudspeakers. In order that we may better serve you should you require warranty service on your new speakers, please retain your original purchase receipt and return the enclosed warranty registration card.

Important: Installation of automotive stereo components can require extensive experience in performing a variety of mechanical and electrical procedures. Although these instructions explain in a general sense how to install GT Series loudspeakers, they may not show the exact installation methods for your particular vehicle. If you feel you lack the necessary tools or experience, ask your authorized JBL car-audio dealer about professional installation options.

Installation Warnings and Tips

- Always wear protective eyewear when using tools.
- Turn off all audio systems and other electrical devices before you start. Disconnect the (-) negative lead from your vehicle's battery.
- Keep speakers in their package(s) until final installation. When moving a speaker, always rest it with the cone or dome facing up. Never use force to install any speaker.
- Check clearances on both sides of a planned mounting surface before drilling any holes or installing any screws. Remember that the screws can extend behind the surface.
- At the installation sites, locate and make a note of all fuel lines, hydraulic brake lines, vacuum lines and electrical wiring. Use extreme caution when cutting or drilling in and around these areas.

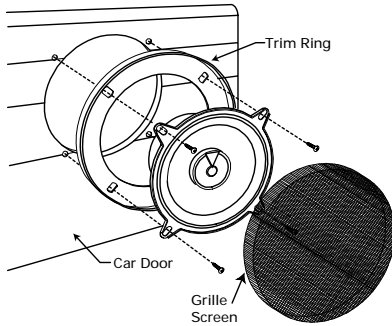
Caution: In some cars, fuel tanks may be located directly beneath the rear deck. Check for adequate speaker-basket clearance before considering this location!

- Before drilling or cutting holes, use a utility knife to remove unwanted fabric or vinyl to keep material from snagging in a drill bit or saw.
- For door installations, check the clearance with the windows in both closed and open positions and verify that a mounted speaker will not interfere with the window crank or with the power-window mechanism.
- If mounting speakers elsewhere, check for clearance around rear-deck torsion bars, glove box or other structural elements.
- Do not mount speakers where they will get wet.

Warning: Playing loud music in an automobile can permanently damage your hearing as well as hinder your ability to hear traffic. We recommend listening at low levels while in your car. JBL accepts no liability for hearing loss, bodily injury or property damage resulting from use or misuse of this product.

Typical installation of the GTO320, GTO520, GTO7520, GTO920 and GTO930 speakers with grilles as shown in Figure 1.

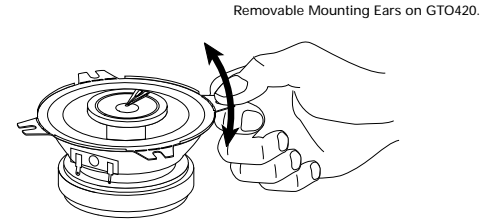
Figure 1.



Note: The GTO320 and GTO7520 are designed for direct replacement of factory speakers behind original factory grilles; therefore, they do not contain the grilles and trim ring shown in Figure 1.

Installation of the GTO420 speaker as shown in Figures 2a and 2b.

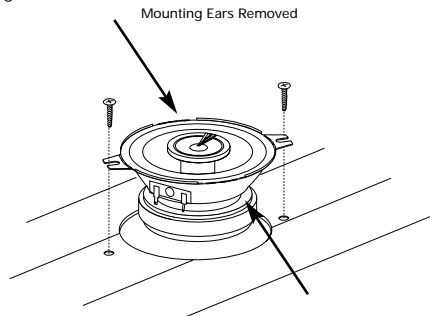
Figure 2a.



Bend up and down repeatedly to break off or use tin snips.

Note: Some installations may require some or all of the mounting ears to be removed from the GTO420. Remove your original speakers first to determine whether any mounting ears must be removed.

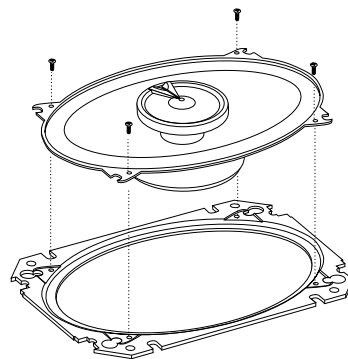
Figure 2b.



Mounting the GTO420.

Installation of the GTO6420 speaker as shown in Figure 3.

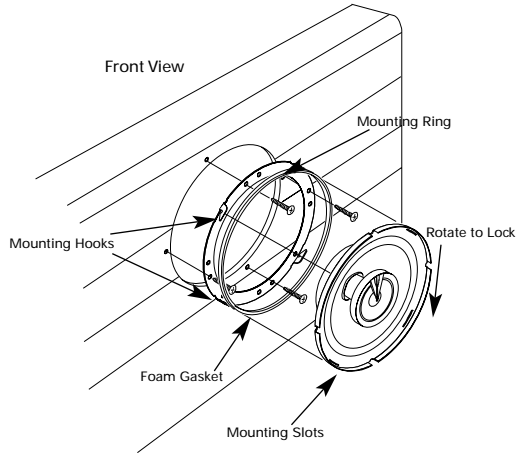
Figure 3.



Note: To install the GTO6420 in European cars with elliptical openings, detach the speaker from the metal adapter.

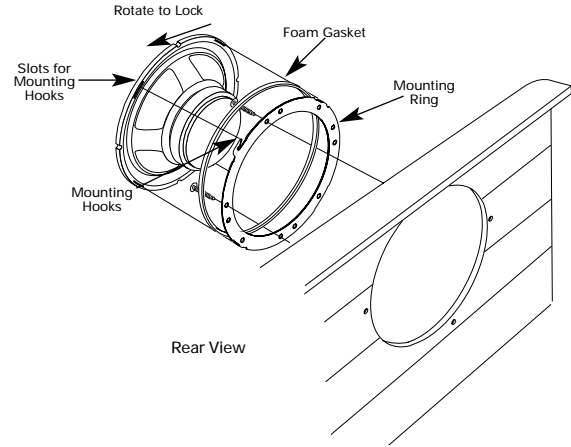
Installation of the GTO620 and GTO630 as shown in Figures 4a, 4b, 4c and 4d. The GTO620 and GTO630 use JBL's patented Intermount II™ mounting system. Intermount II provides for easy installation of these speakers in many standard and nonstandard locations that will accommodate a 6-1/2" speaker.

Figure 4a.



Using Intermount II™ in American and Japanese cars with openings for 6-1/2" speakers as shown in Figures 4a and 4b.

Figure 4b.



Important: When using the steel mounting rings, you must use the sheet metal screws with undersized heads that are included in the hardware pack and make sure that the ring is mounted to a completely flat surface.

Using Intermount II™ in European and American 165mm openings or custom-mounting the speaker as shown in Figures 4c and 4d.

Figure 4c.

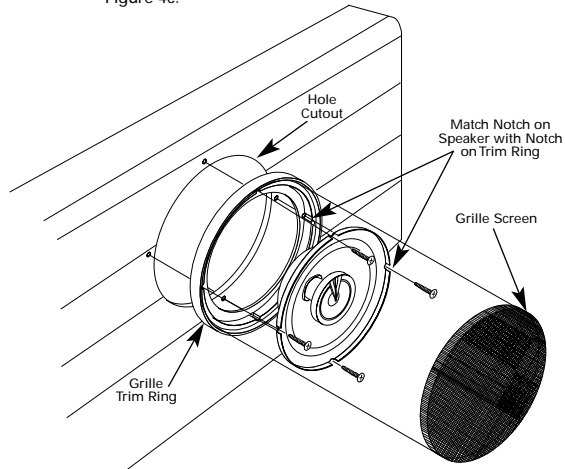
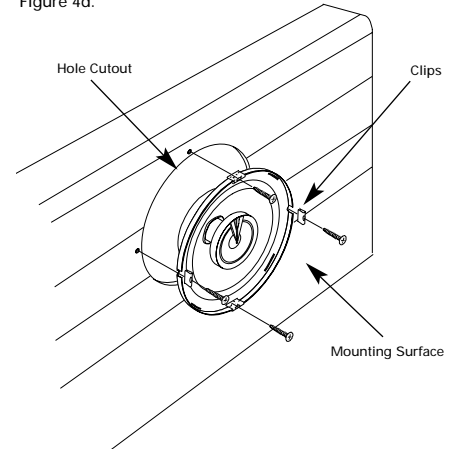


Figure 4d.



Note: If you are mounting the speakers behind the factory door panel or grille, omit the grille and trim ring. Place the U-shaped clips over the speaker's outside flange, align the hole in the clip with the notch in the speaker's basket and insert the screw through the hole in the clip.

Specifications

Multielement Loudspeakers

	GTO320 3-1/2" 2-Way Loudspeaker	GTO420 4" 2-Way Loudspeaker	GTO6420 4" x 6" 2-Way Loudspeaker	GTO520 5-1/4" 2-Way Loudspeaker	GTO620 6-1/2" 2-Way Loudspeaker	GTO630 6-1/2" 3-Way Loudspeaker
Woofer-Cone Material	Rigitex™	Rigitex™	Rigitex™	Rigitex™	Rigitex™	Rigitex™
Tweeter-Diaphragm Material	Titanium Composite	Titanium Composite	Titanium Composite	Titanium Composite	Titanium Composite	Titanium Composite
Recommended Amplifier Power Range	5W – 60W RMS	5W – 75W RMS	5W – 60W RMS	5W – 90W RMS	5W – 125W RMS	5W – 125W RMS
Frequency Response	100Hz – 21kHz	85Hz – 21kHz	75Hz – 21kHz	65Hz – 21kHz	55Hz – 21kHz	55Hz – 21kHz
Sensitivity	90dB	90dB	92dB	90dB	91dB	91dB
Mounting Depth	1-7/16" (37mm)	1-15/16" (50mm)	1-3/4" (45mm)	2-3/16" (56mm)	1-15/16" (50mm))	1-15/16" (50mm)

	GTO7520 5" x 7" 2-Way Loudspeaker	GTO920 6" x 9" 2-Way Loudspeaker	GTO930 6" x 9" 3-Way Loudspeaker
Woofer-Cone Material	Rigitex™	Rigitex™	Rigitex™
Tweeter-Diaphragm Material	Titanium Composite	Titanium Composite	Titanium Composite
Recommended Amplifier Power Range	5W – 150W RMS	5W – 175W RMS	5W – 175W RMS
Frequency Response	50Hz – 21kHz	45Hz – 21kHz	45Hz – 21kHz
Sensitivity	91dB	91dB	92dB
Mounting Depth	2-3/8" (61mm)	2-15/16" (75mm)	2-15/16" (75mm)

Declaration of Conformity



We, JBL Europe A/S
Kongevejen 194B
DK-3460 Birkerød
DENMARK

declare in own responsibility, that the products described
in this owner's manual are in compliance with technical
standards:

EN 50081-1:1992

EN 50082-1:1992

A handwritten signature in black ink, appearing to read 'Steen Michaelsen'.

Steen Michaelsen
JBL Europe A/S
Birkerød, DENMARK, 2/99



JBL Consumer Products, 250 Crossways Park Drive, Woodbury, NY 11797
800-336-4JBL (4525) www.jbl.com Part No. GTOMEOM Made in China

A Harman International Company