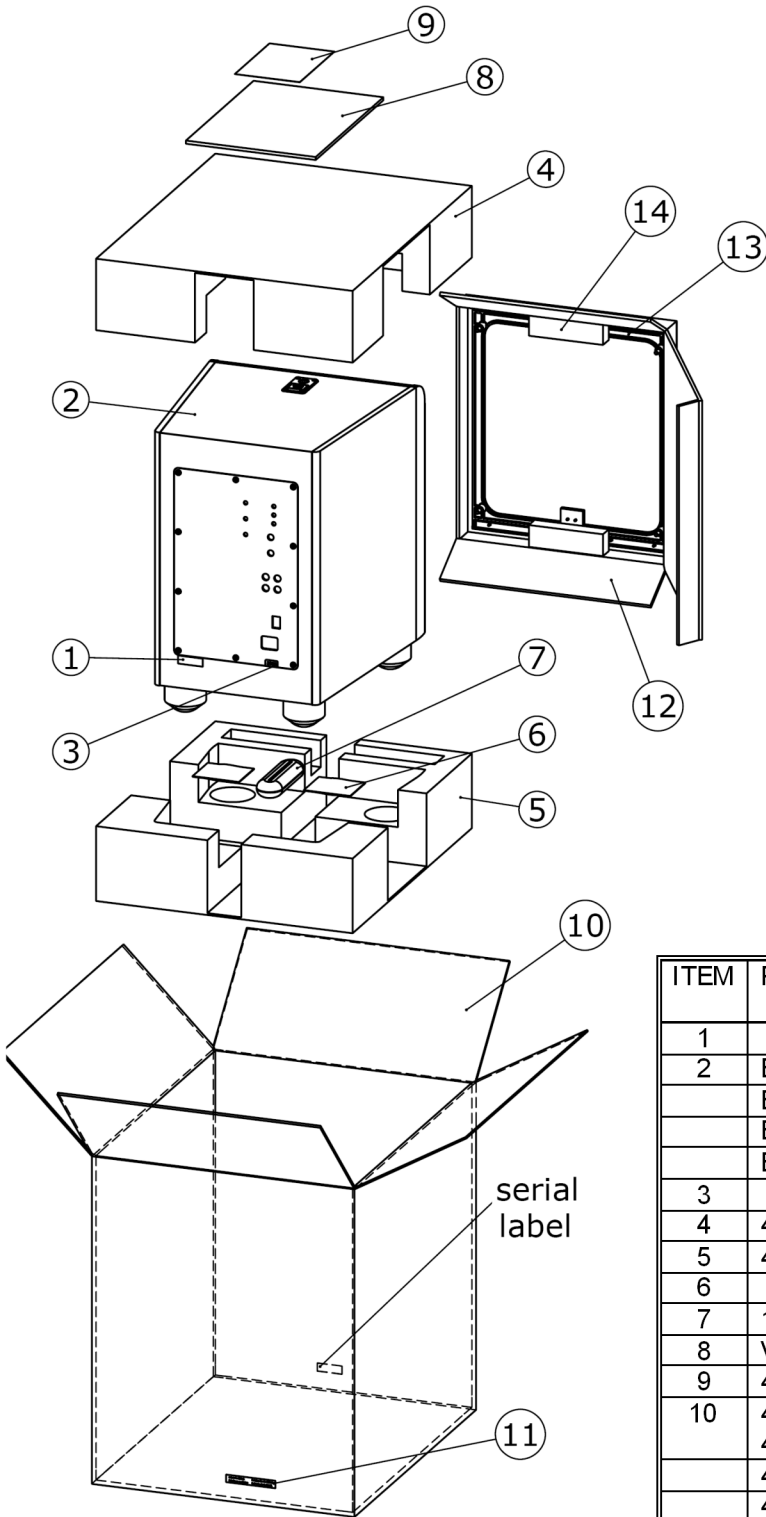


ES150P PACKAGING



ITEM	PART NUMBER	DESCRIPTION	QTY
1		Serial Number Label	1
2	ES150PBE	ES150P	1
	ES150PBK		
	ES150PCH		
	ES150PSIG		
3		Label	1
4	431-000-06198-E	Top Foam	1
5	431-000-06199-E	Bottom Foam	1
6		Desiccant	1
7	165-045801100-E	15' RCA cable	1
8	Visit www.jbl.com	Owner's Manual	1
9	405-000-05181-E	Warranty card	1
10	400-000-07835-E	Outer Carton, ES150PBE	1
	400-000-07831-E	Outer Carton, ES150PBK	1
	400-000-07830-E	Outer Carton, ES150PCH	1
	400-000-07834-E	Outer Carton, ES150PSIG	1
11		Label	1
12		Carton, grille	1
13	244-100-05276-0BAE	Front Grille	1
14		Packing, grille	1