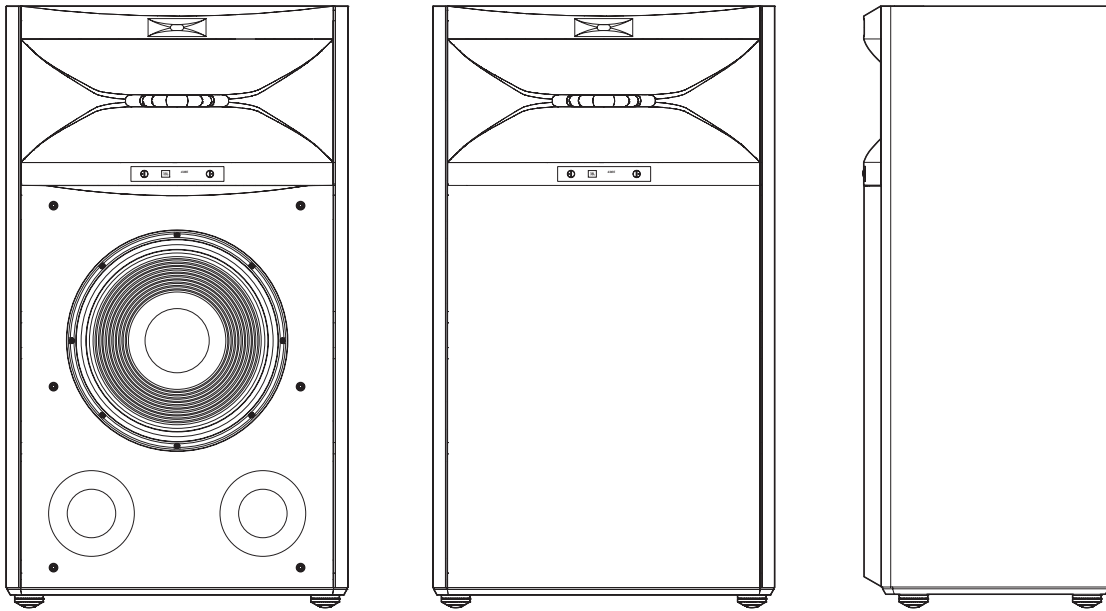




JBL[®] STUDIO MONITOR MODEL 4365

3-way loudspeaker



OWNER'S MANUAL

INTRODUCTION

THANK YOU for purchasing the JBL® studio monitor model 4365. The 4365 is a new member of the family of JBL large studio-monitor speakers that dates back to 1963 with the original model 4320 studio monitor. By incorporating technology first developed for the Project K2S9900 with new Bi-Radial® horns, the 4365 fuses innovation with JBL tradition. To get the best performance from your new studio monitor, please read these instructions thoroughly."

PACKAGE CONTENTS

EACH JBL 4365 BOX CONTAINS:

- One (1) JBL 4365 studio-monitor speaker
- Four (4) spiked foot inserts
- Four (4) metal coasters for use on tile, wood and linoleum floors

If you suspect that there has been shipping damage, report it immediately to your dealer. We recommend that you keep the box and packing materials for future use.

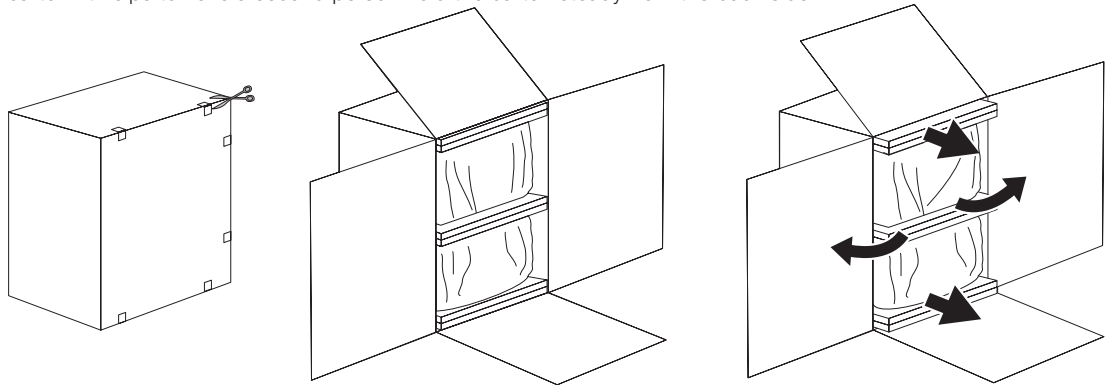
UNPACKING THE SPEAKER

CAUTION: The 4365 weighs 86.4kg (190 lb). To avoid personal injury or damage to floors or the speaker, we strongly recommend that at least two people unpack and move the speaker.

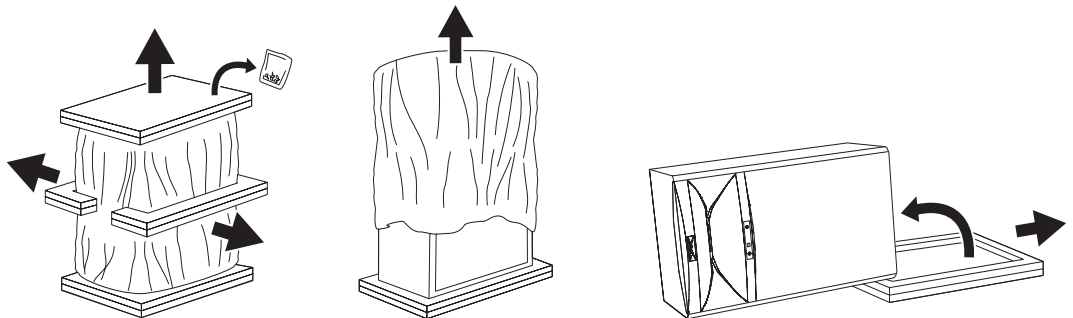
The speaker has rounded, stainless-steel feet installed on the bottom of its cabinet. To avoid damage to your floor, we strongly advise that you unpack the speaker on a well-protected surface, such as a thick carpet or a thick piece of cardboard.

TO UNPACK THE SPEAKER:

1. Carefully cut the tape on the carton's front flap. Note: Only three of the flap's four edges have tape.
2. Open the flaps and remove the side filler sleeves by pulling them straight out of the carton.
3. Stand on the box's lower flap and gently rock the speaker and its packing back and forth while pulling it out of the carton. In this way you can "walk" the speaker out of the carton. It helps to have a second person hold the carton steady from the back side.



4. Once the speaker is out of the carton, remove the upper and middle pads. The speaker's accessories are packed on the top end of the upper pad, so be careful not to discard them.
5. Remove the cloth bag covering the speaker.
6. With another person's help, carefully tilt the speaker on its side onto a thickly carpeted or well-padded surface and remove the bottom pad. Then tilt the speaker back up on its feet.

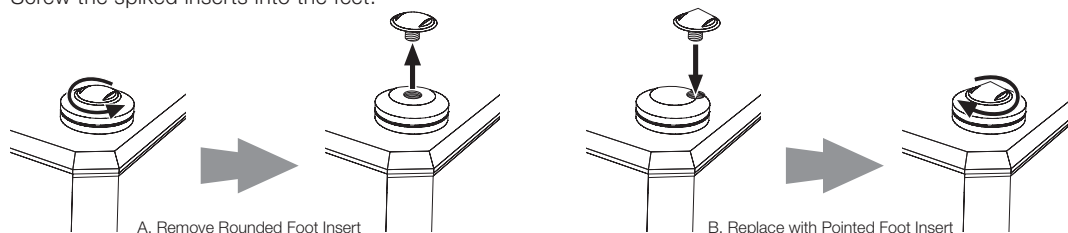


CHANGING THE SPEAKER'S FEET

The 4365 is shipped with rounded feet attached to the bottom of its cabinet.

TO CHANGE TO THE INCLUDED SPIKED INSERTS:

1. Turn the speaker upside down onto a thickly carpeted or well-padded surface.
2. Unscrew and remove the rounded inserts of the installed feet. If the inserts are difficult to loosen, use an 18mm (11/16-inch) wrench.
3. Screw the spiked inserts into the feet.

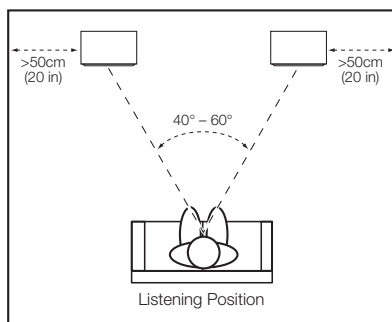


IMPORTANT: To prevent damage (scratches, indentations, etc.) to wood or linoleum floors due to the weight of these speakers, always use the included coasters. Be especially sure to use the coasters on tile surfaces to prevent cracking the tile.

PLACEMENT

Before deciding where to place your speakers, note that the floor at your selected location must be capable of supporting a load of 86.4kg (190 lb). Because the stainless-steel feet solidly couple the speaker to the floor, a flat, hard surface such as wood or linoleum is preferable. However, the coupling system, along with the speakers' substantial weight, should result in excellent performance on any surface, even carpeting.

To decide on a final location for your speakers, survey your room and think about placement using the illustration below as a guide.



For best results, place the speakers about two to three meters (about six to ten feet) apart. If you place the speakers farther apart, angle them toward the listening position.

The speakers will produce the most accurate stereo soundstage when the angle between the listener and the speakers is between 40 and 60 degrees.

Position each speaker so that its tweeter is approximately at ear level.

Generally, bass output will increase as the speaker is moved closer to a wall or corner. For best performance, we recommend that you place the speakers at least 50cm (about 20 inches) away from the side walls.

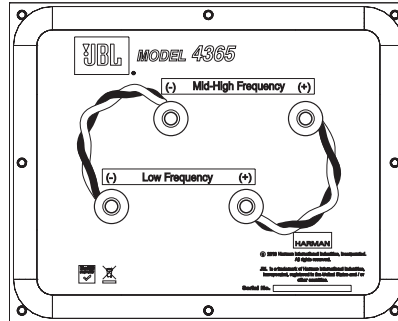
NOTES ABOUT SPEAKER PLACEMENT:

- To prevent damage (scratches, indentations, etc.) to wood or linoleum floors due to the weight of these speakers, always use the included coasters. Be especially sure to use the coasters on tile surfaces to prevent cracking the tile.
- Avoid placing the speakers near power amplifiers, heat registers or other objects that generate large amounts of heat.
- Do not place the speakers in very humid or dusty places.
- Do not place the speakers in direct sunlight or in places where they will be exposed to other strong light.
- The 4365 is not video-shielded and may distort or discolor the picture if placed close to some types of TVs.
- If the speakers do distort or discolor your TV's picture, move the speakers away from the TV until the distortion or discoloration disappears.

CONNECTIONS

CAUTION: Make sure that all of the system's electrical components are turned OFF (and preferably unplugged from their AC outlets) before making any connections.

Speakers and amplifiers have corresponding positive and negative (“+” and “-”) connection terminals. The 4365 has two sets of connection terminals; jumper wires connect the terminals to each other. The terminals are marked “+” and “-”. Additionally, the “+” terminals have red rings, while the “-” terminals have black rings. See the illustration below.



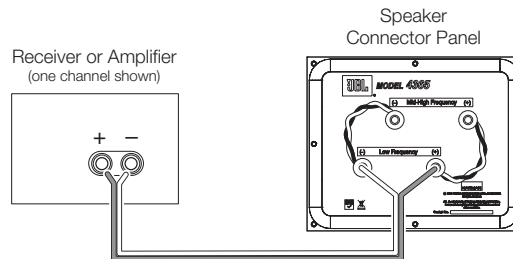
We have designed the 4365 so that a positive voltage at the “+” (red) terminal will cause the speaker transducers to move outward (toward the room).

We recommend using a high-quality speaker wire with polarity coding. The side of the wire with a ridge or other coding is usually considered positive polarity (“+”).

To ensure proper polarity, connect the left- and right-channel “+” terminals on the back of the amplifier or receiver to their respective “+” (red) terminals on the speakers. Connect the “-” (black) terminals in a similar way. See the owner’s manual of your receiver or amplifier to confirm its connection procedures.

BASIC SINGLE-WIRE CONNECTION:

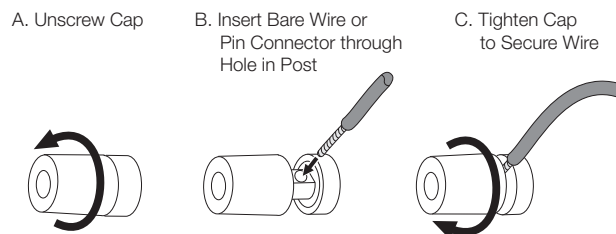
Connect the amplifier to each speaker as shown in the illustration below. You can use either set of terminals on the speaker. NOTE: Do not remove the jumper wires from between the two sets of terminals when connecting the speaker wires.



IMPORTANT: Do not reverse polarities (i.e., “+” to “-” or “-” to “+”) when making connections. Doing so will cause poor stereo imaging and diminished bass performance.

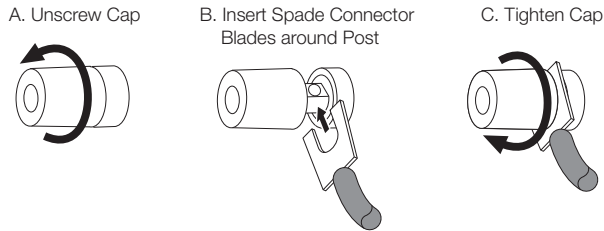
The 4365’s gold-plated speaker terminals can accept a variety of wire-connector types: bare wire, spade connectors, pin connectors and banana connectors.

Using Bare Wire or Pin Connectors:



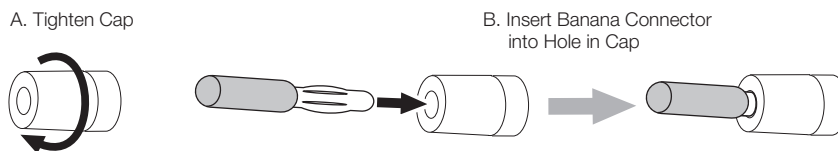
IMPORTANT: Make sure the (+) and (-) wires or pins do not touch each other or the other terminal. Touching wires can cause a short circuit that can damage your receiver or amplifier.

Using Spade Connectors:



IMPORTANT: Make sure the (+) and (-) spade connector blades do not touch each other or the other terminal. Touching blades can cause a short circuit that can damage your receiver or amplifier.

Using Banana Connectors:

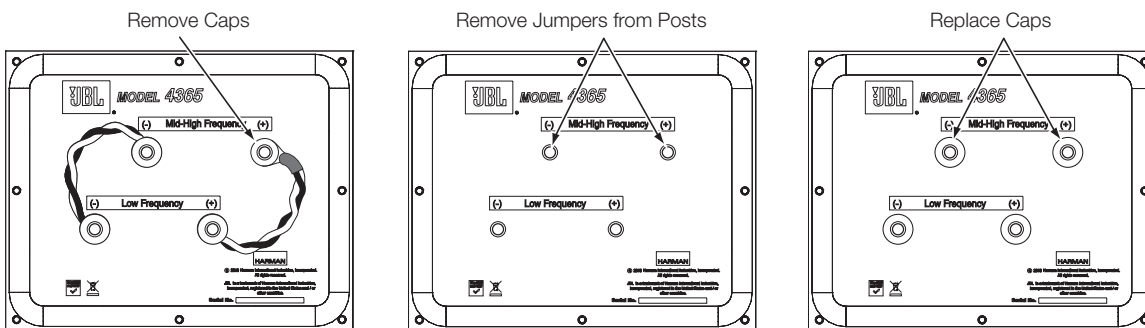


BI-WIRE CONNECTION:

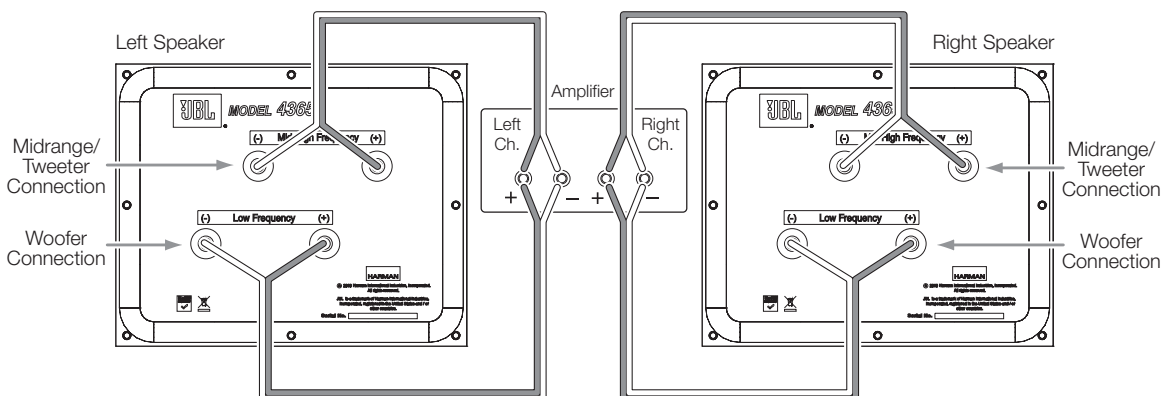
The 4365 connection assembly has two sets of input terminals that are connected by jumper wires. The upper set of terminals is for high-frequency/ultrahigh-frequency drivers, and the lower set of terminals is for the woofer.

This arrangement allows you to bi-wire the speakers using a single stereo power amplifier or two stereo power amplifiers. Bi-wiring can offer sonic advantages and more flexibility in power-amplifier selection over a conventional single-wire connection.

To bi-wire the 4365, first remove the terminal jumper wires as shown in the illustration.

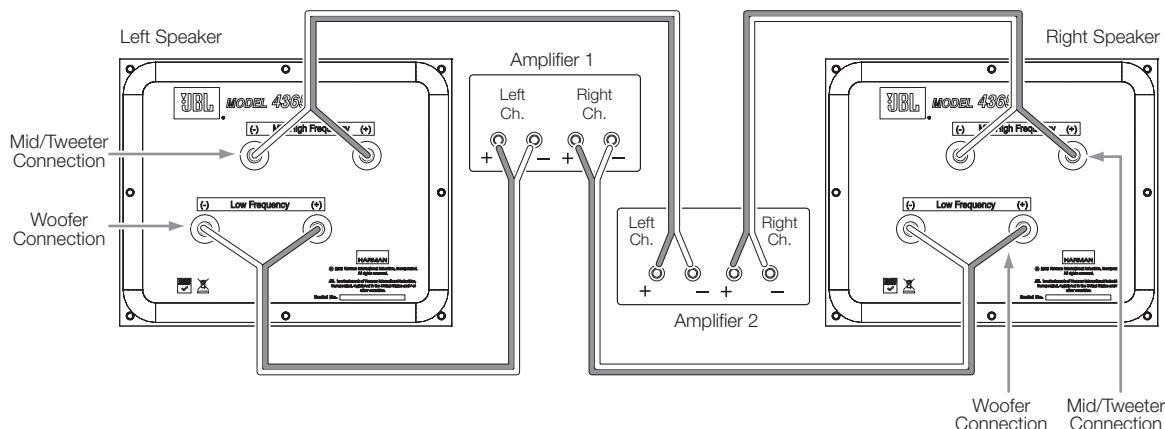


If you're bi-wiring with a single stereo power amplifier, connect the speakers according to the following illustration.



BI-WIRE CONNECTION (continued):

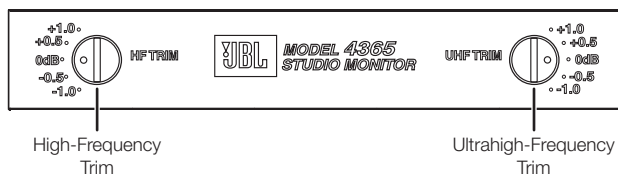
If you're bi-wiring with two stereo power amplifiers, connect the speakers according to the following illustration.



In either case, follow the instructions for the different connector types in Basic Single-Wire Connection, on page 4.
NOTE: For more information about various speaker-wire and connection options, contact your local JBL dealer.

CONTROLS/ADJUSTMENTS

The 4365 has stepped front-panel adjustments that let you balance the high-frequency (HF) range and ultrahigh-frequency (UHF) range against the woofer.



You can use these controls to adjust the speaker's sound according to your room's acoustics or your personal taste. If you want to return the speakers to their factory-shipped response, set the controls to "0dB."

As with most speakers, the 4365 has transducers whose suspensions will take several weeks to "break in" and achieve optimum performance. During this period, the balance between the woofer, HF and UHF drivers may change, so we recommend that you adjust the HF and UHF controls accordingly.

CARING FOR YOUR SPEAKERS

- Wipe the cabinet with a clean, dry cloth to remove dust. A damp cloth may dull the cabinet's finish. Do not use volatile liquids such as benzene, paint thinner or alcohol on the cabinet.
- Do not spray insecticide near the cabinet.
- To remove dust from the grille fabric, use a vacuum cleaner set to low suction.
- Do not wash the grille in water, as water may fade the grille's color or make it uneven.
- If the surface of the woofer cone becomes dusty, you can carefully sweep it clean with a soft, dry calligraphy brush or paint brush. Do not use a damp cloth.

SPECIFICATIONS

JBL® studio monitor model 4365

Low-frequency transducer:	380mm (15") cone driver with Vented Gap Cooling™, a 100mm (4") voice coil and a three-layer sandwich cone (model 1501FE)
High-frequency transducer:	100mm (4") compression driver with magnesium-alloy diaphragm and 38mm (1-1/2") exit (model 476Mg)
Ultrahigh-frequency transducer:	25mm (1") compression driver with pure titanium diaphragm (model 045Ti-1)
Recommended amplifier power:	50W – 300W
Frequency response:	35Hz – 40kHz (–6dB, anechoic)
Nominal impedance:	8 ohms
Sensitivity:	93dB (2.83V/1m)
Crossover frequencies:	750Hz, 15kHz
Controls:	Switch attenuators for HF and UHF drivers
Enclosure type:	25mm (1")-thick MDF stock, dual-ported
Connector type:	Dual gold-plated five-way binding posts
Finish:	Walnut, with polyurethane
Grille color:	Monitor blue
Dimensions (H x W x D):	1048mm x 597mm x 429mm (41-1/4" x 23-1/2" x 16-7/8")
Weight:	86.4kg (190 lb)



HARMAN

Harman Consumer, Inc.
8500 Balboa Blvd., Northridge, CA 91329 USA

www.jbl.com

© 2010 Harman International Industries, Incorporated. All rights reserved.
JBL and Bi-Radial are trademarks of Harman International Industries, Incorporated, registered in the United States and/or other countries. Vented Gap Cooling is a trademark of Harman International Industries, Incorporated.

Features, specifications and appearance are subject to change without notice.

Part No. 443894-001