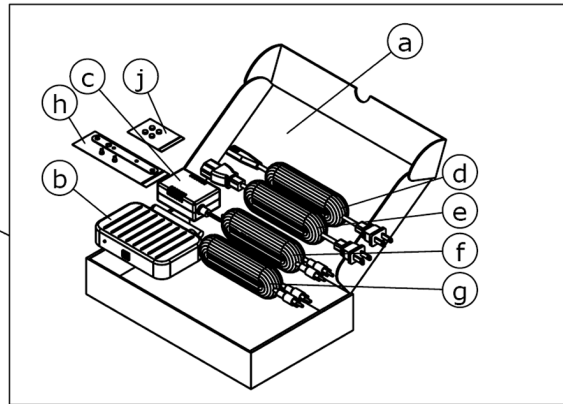
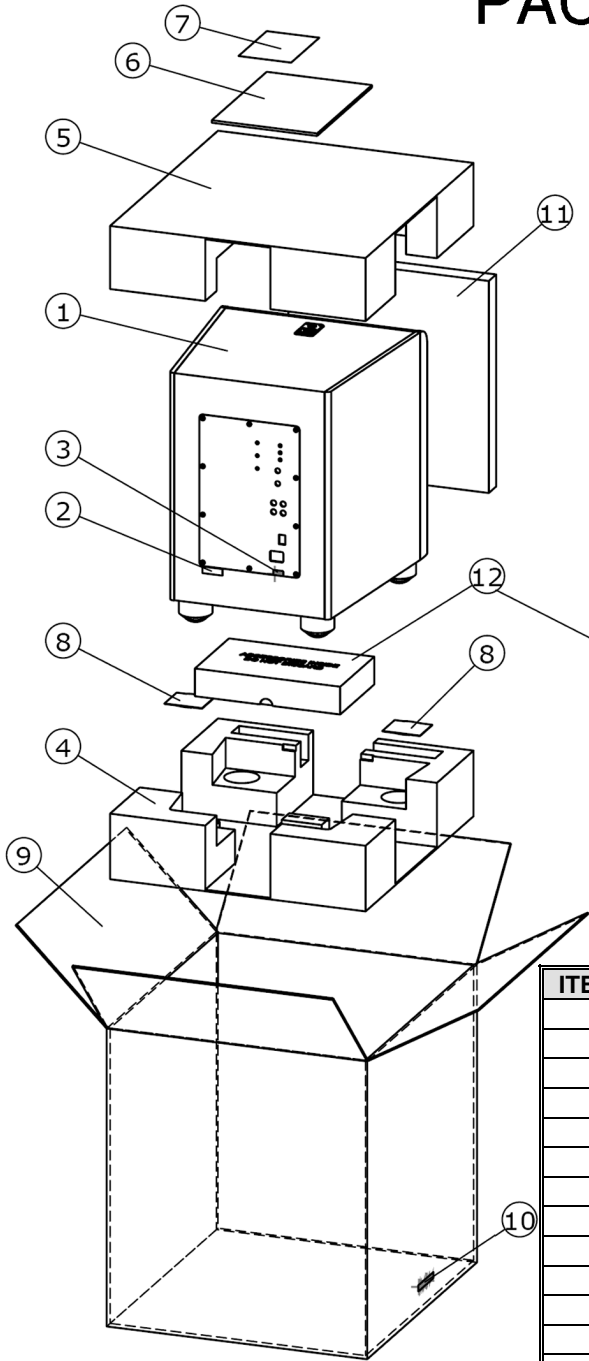


PACKAGING



ITEM #	PART NUMBER	DESCRIPTION	QTY
1	ES250PWCH	ES250PW (Cherry)	1
	ES250PWBE	ES250PW (Beech)	1
	ES250PWBK	ES250PW (Black)	1
2		Serial Number	1
3		Date Label	1
4	431-000-06708-E	Bottom Foam	1
5	431-000-06707-E	Top Foam	1
6	Visit www.jbl.com	ES250PW Owner's Manual	1
7	405-000-05181-E	Warranty Card	1
8		Desiccant	1
9	400-000-08367-E	Outer Carton ES250PW (Cherry)	1
	400-000-08368-E	Outer Carton ES250PW (Beech)	1
	400-000-08371-E	Outer Carton ES250PW (Black)	1
10		Carton Label	1
11	244-120-05243-1BAE	Grille w/ logo, packaged	1
12		Accessory box consisting of:	1
a		Carton	1
b	ES250PW120V-LAUNCH or 015-7600-00037-E	Transmitter	1
c	151-OGPE15200-E	Power Supply, transmitter	1
d		120v AC cord for Power Supply	1
e	152-U60201A02-E	120v AC cord for ES250PW	1
f	165-02000101-E	6 ft. Audio cable RCA-RCA	1
g	165-045801100-E	15 ft. Audio cable RCA-RCA	1
h	376-000-01092-E	Wall Mount Bracket, transmitter	1
j	373-000-05067-E	Adhesive feet, round, (set 4)	1