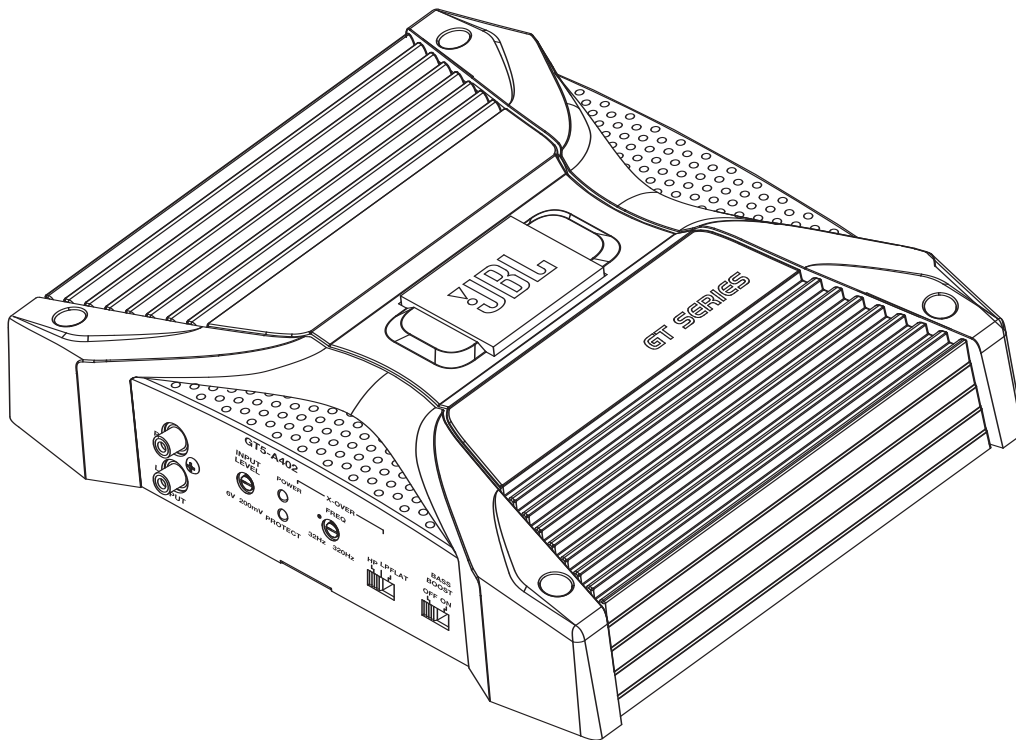
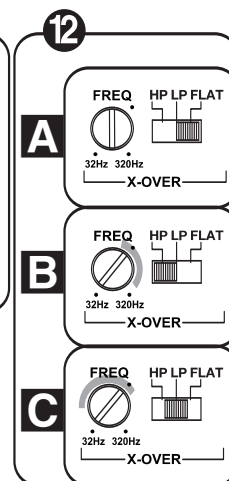
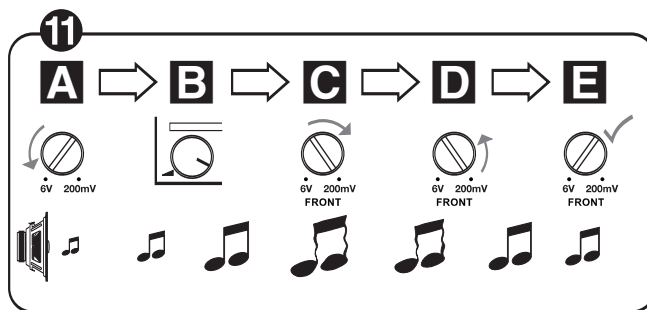
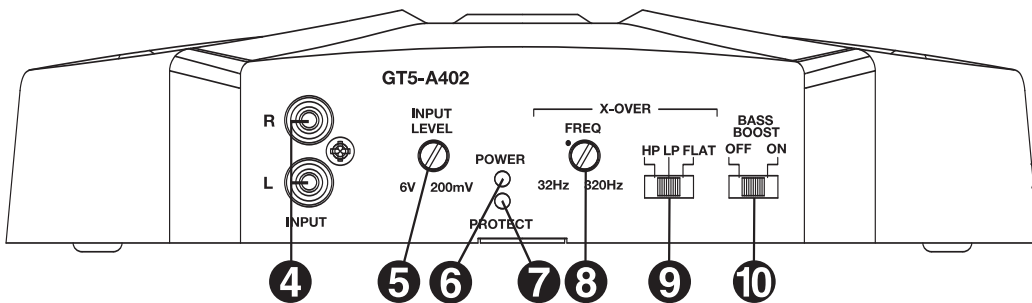
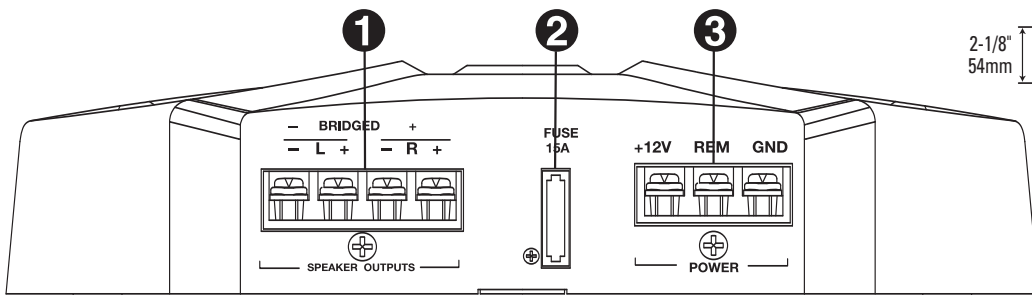
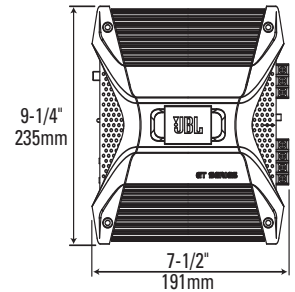
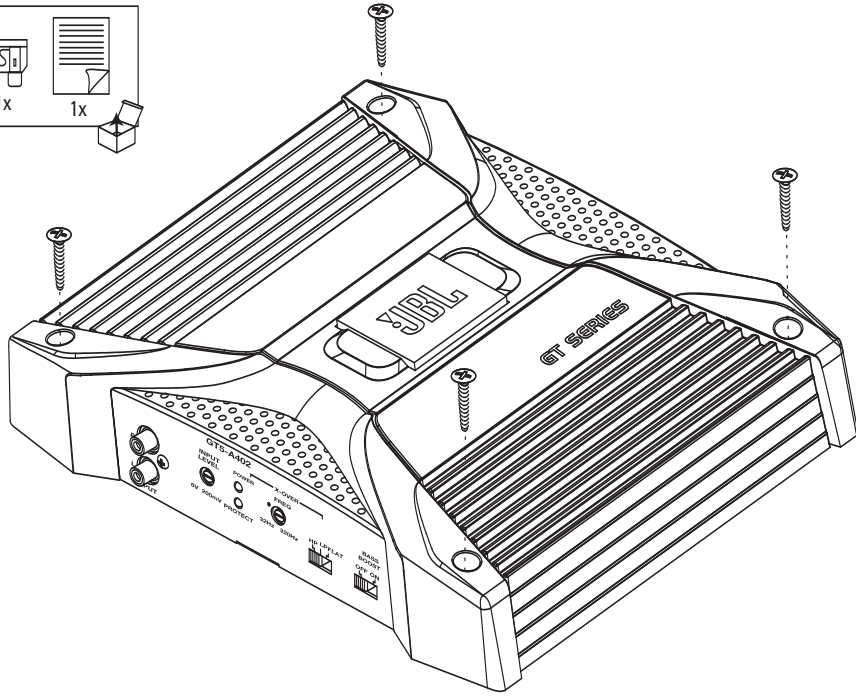
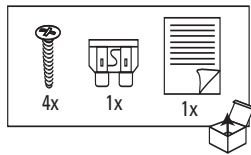

JBL

®

GT5-A402
OWNER'S MANUAL





GT5-A402 CAR AUDIO POWER AMPLIFIER OWNER'S MANUAL

Installation Warnings and Tips

- Disconnect the negative (–) lead from your vehicle's battery.
- At the installation sites, locate and make a note of all fuel lines, hydraulic brake lines, vacuum lines and electrical wiring. Use extreme caution when cutting or drilling in and around these areas.
- Choose a safe mounting location away from moisture.
- Make sure there is sufficient air circulation at the mounting location for the amplifier to cool itself.
- Mount the amplifier, using the supplied hardware.

Specifications

- 40W RMS x 2 @ 4 ohms and $\leq 1\%$ THD + N*
 - 60W RMS x 2 @ 2 ohms, 14.4V supply and $\leq 1\%$ THD + N*
 - 120W RMS x 1 @ 4 ohms, 14.4V supply and $\leq 1\%$ THD + N*
 - Total peak power: 240 watts
 - Frequency response: 10Hz – 100kHz (–3dB)*
 - Maximum input signal: 6V*
 - Maximum sensitivity: 200mV*
 - THD + N: 0.05%
 - Signal-to-noise ratio: 85dBA (reference 1W into 4 ohms)*
 - Signal-to-noise ratio: 101dBA (reference rated power into 4 ohms)
- * CEA-2006A-compliant

1 Speaker Output Connectors

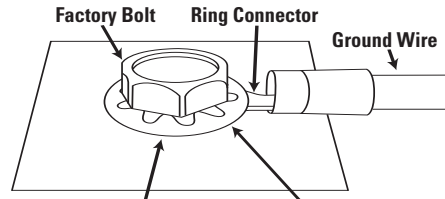
- Connect the speakers to these terminals, observing proper polarity.
 - Two-channel operation: Connect the left speaker to the L+ and L– terminals and the right speaker to the R+ and R– terminals.
 - One-channel (bridged) operation: Connect the single speaker to the R+ and L– terminals.
- Minimum speaker impedance for 2-channel operation is 2 ohms. Minimum speaker impedance for 1-channel (bridged) operation is 4 ohms.

2 Fuse

- Replace only with the same type and rating.

3 Power Input Connectors

- +12V: Connect to the positive terminal of the vehicle's battery. 10 AWG wire is recommended. Install an appropriate fuse holder and fuse (15A minimum) within 18 inches of the battery. Make sure the wire is not damaged or pinched during installation. Install protective grommets when routing wires through the firewall or other sheet metal.
- GND: Connect to the vehicle's chassis. Refer to the picture below.



Note: Remove any paint below ring connector.

- REM: Connect to the "Remote Out" lead from the source unit or to a source of switched 12V+ (ACC).

4 Input Connectors (RCA)

- Connect to the RCA outputs from the source unit or signal processor.

5 Input-Level Control

- Used to match the input level of the amplifier to the output level of the source unit.
- See 11 for the adjustment procedure.

6 Power On LED

- Illuminated when the amplifier is on.

7 Protect LED

- Illuminated under any of the following fault conditions: battery over/under voltage, short circuit in speaker wires, amplifier is too hot, amplifier's output circuit has failed (DC voltage is present in the amplifier's output).

8 Crossover-Frequency Control

- 12dB/octave crossover, variable from 32Hz to 320Hz.
- See 12 for the adjustment procedure.

9 Crossover-Filter Selector

- LP: Select for subwoofer(s).
- FLAT: Select for full-range speakers when no subwoofer will be used in the system.
- HP: Select for midrange speakers or full-range speakers when a subwoofer is used in the system.

10 Bass-Boost Control

- Provides 6dB of boost at 50Hz. Set the Bass-Boost control according to your preference, being careful not to apply enough boost to damage the speaker(s).

11 Setting Input Level

- Turn Input-Level control counterclockwise to 6V (minimum).
- With a dynamic music track playing, turn the head unit's volume control to the 3/4 position.
- Turn Input-Level control clockwise until the music is so loud that it no longer sounds clear (distortion is present in the output).
- Turn Input-Level control counterclockwise gradually, just until the music sounds clear, once again.
- Input level is now adjusted correctly.

12 Setting the Crossover

- Crossover setting for 5" or larger full-range speakers when no subwoofer is included in the system.
 - Crossover setting for midrange and/or full-range speakers when a subwoofer is included in the system.
 - Crossover setting for subwoofers.
- Note:** Acceptable frequency ranges are indicated in gray.



Harman Consumer Group, Inc.
250 Crossways Park Drive, Woodbury, NY 11797
www.jbl.com

© 2008 Harman International Industries, Incorporated. All rights reserved.

JBL is a trademark of Harman International Industries, Incorporated,
registered in the United States and/or other countries.

Part No. GT5A4020M 3/08

H A Harman International Company



Declaration of Conformity

CE

We, Harman Consumer Group, Inc.
2, route de Tours
72500 Château du Loir
France

declare in own responsibility that the product described in this owner's
manual is in compliance with technical standards:
EN 55013:2001+A1:2003
EN 55020:2002+A1:2003

Klaus Lebherz
Harman Consumer Group, Inc.
Château du Loir, France 3/08