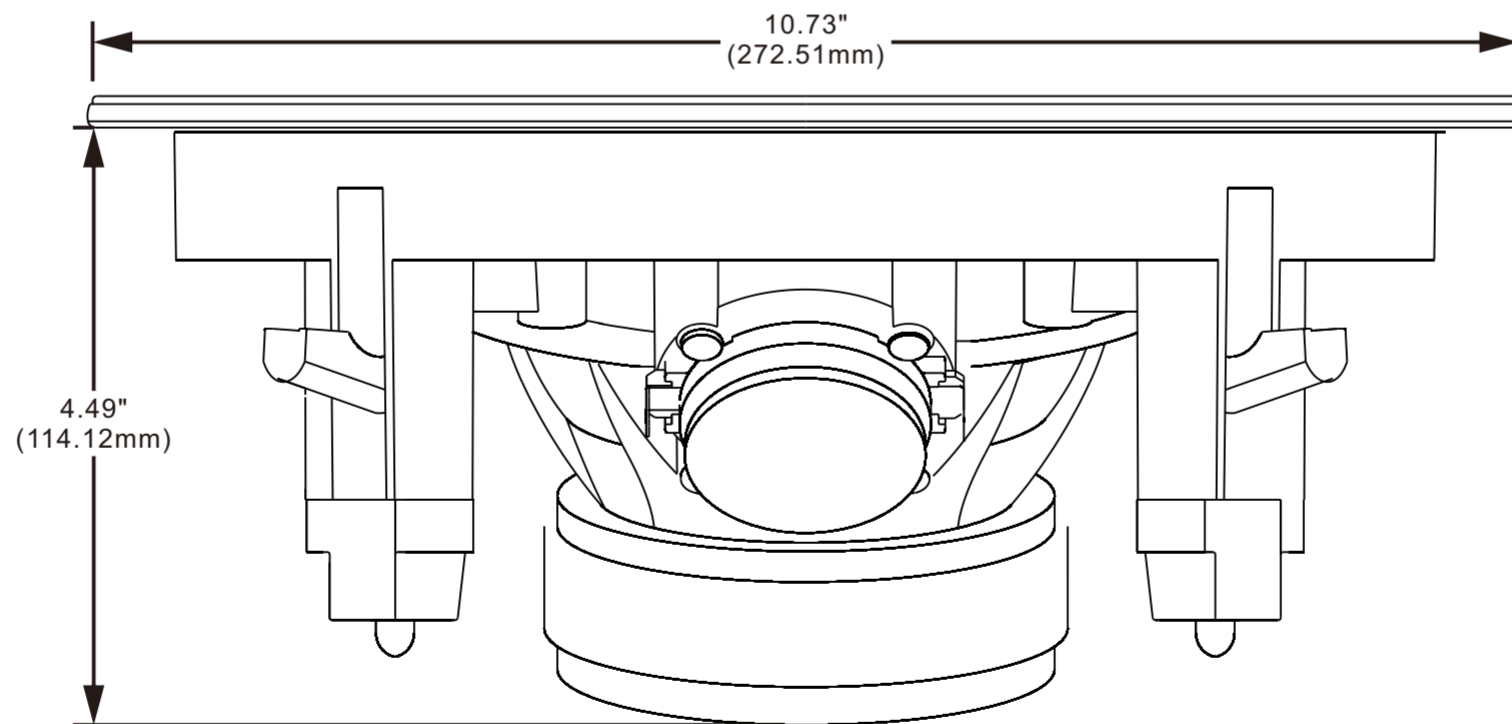


SCL-8

Cut Out Template



Note: 1" (25.4mm) must be clear behind the drywall to provide adequate room for the mounts to engage.

Ø9.72"
(247mm)