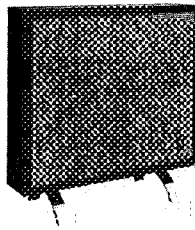


## JBL TRIMLINE 54



## INSTALLATION OF SPEAKER COMPONENTS

*The Trimline 54 employs the remarkable JBL LEST to reproduce the full range of musical tones with lifelike precision. The cone area of the LEST is effectively doubled in the low frequency range by a pneumatically-driven Passive Radiator for powerful bass performance. The combination of the LEST and the LES-7 Passive Radiator achieves dramatic tonal and dynamic range from this small, slim loudspeaker system. The JBL Trimline 54 is capable of pure undistorted sound even at very high loudness levels...every note is crisp, clear and precise.*

## AMPLIFIER POWER

If your Trimline 54's are furnished complete with the JBL Stereo Energizer installed, this is connected directly to your preamplifier/control center ... no additional power amplifier is needed. The enclosed Energizer instruction manual explains the proper connection and operation of the complete system.

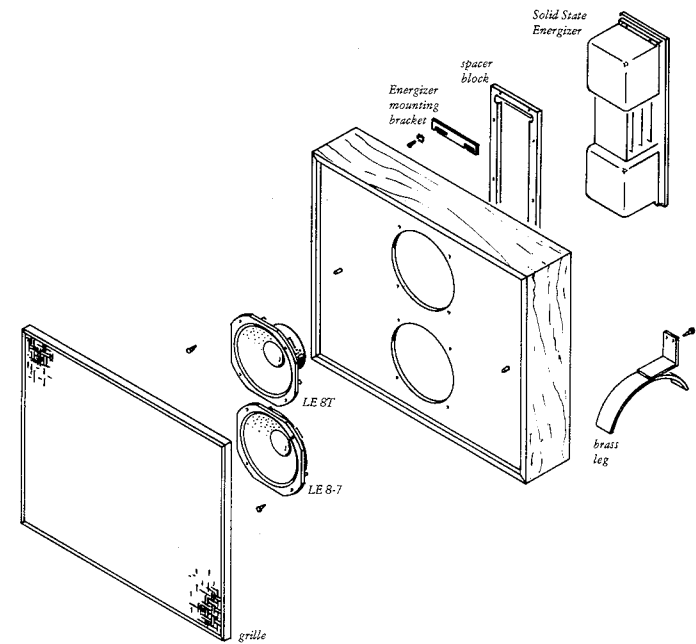
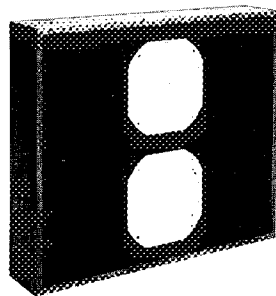
When connected to conventional power amplifiers, excellent performance can be expected from any high-quality unit. The efficiency of the Trimline 54 is such that full-bodied performance will be realized from as little as 10 watts available power per channel. However, the wide dynamic range of the L54 allows amplifiers of much greater power to be used if you want sufficient reserve available to handle the most intense musical transients. So long as you are careful not to unplug tubes or input connectors while the system is turned on, there is little danger of overloading the Trimline 54, even with the most powerful component high fidelity amplifiers presently available.

## CONNECTING THE TRIMLINE 54

Connections to the speaker system are made to the two push-type terminals on the back of the enclosure. The red terminal should be connected to the amplifier 16-ohm terminal, the black to the amplifier "common" terminal\*. Depress the colored button, push the stripped end of the wire in the hole, and release the button. Insulated stranded wire of number 18 gauge is recommended for speaker/amplifier connections up to 25 feet or so. Ordinary commercial lampcord is adequate for almost any connection of practical interest in a home installation.

### Note:

Loudspeaker impedance is a nominal figure that merely suggests the amplifier connection which should achieve the most efficient power transfer between the amplifier and the loudspeaker. If your amplifier does not have a 16-ohm tap, or if for any reason you should want to try a different connection, the Trimline 54 can be connected to an 8-ohm or even a 4-ohm output with no degradation of its tonal characteristics.



## REMOVING LOUDSPEAKER COMPONENTS

- 1) Remove the grille assembly. This is held in place by two friction clips and seats securely. Pull the grille frame directly away from the enclosure, a little at a time. Twisting or bending motions should be avoided.
- 2) The LE8T and the LE8-7 are each mounted from the front of the baffle board and held in place by four machine screws. Remove the screws with a Phillips screwdriver and lift out the component.

## REMOVING THE SOLID STATE ENERGIZER

If your Trimline 54 has the JBL Solid State Energizer mounted on the back panel, this is attached to a rectangular spacer block which is in turn screwed to the panel. Remove the Phillips-head screws around the periphery of the spacer block, then lift out the entire assembly. To remove the Energizer from the spacer, follow the instructions in the Energizer instruction booklet.



## WALL MOUNTING

Two hangers are provided with the Trimline 54. They are factory-installed on the back of the enclosure by four screws. If you want to change the placement of the hangers, remove the screws, place the hangers over another set of pre-drilled holes, and reinstall the four screws. Picture hooks rated at 100 pounds are recommended to hold the Trimline 54 on the wall.

Note: If the enclosure has the JBL Solid State Energizer installed, the system cannot be wall-mounted because the Energizer projects beyond the rear panel of the enclosure.

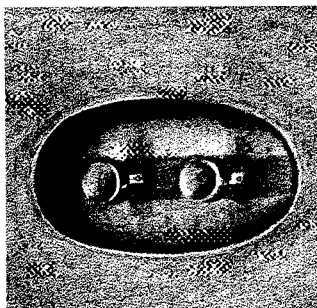
## FREESTANDING PLACEMENT

When the L54 is located on or near the floor, the enclosure should be oriented so that the LE8T is uppermost (the LE8T can be identified by the shiny aluminum dome in the center of the cone). When correctly positioned, the terminals on the back panel will be toward the bottom of the enclosure.

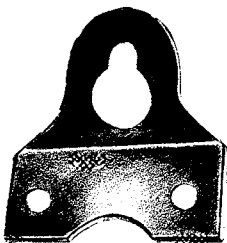
An energized Trimline 54 should always be placed at least one-half inch away from the wall or other large surface so that the face plate of the Energizer is exposed to unobstructed air circulation.

## ATTACHING BRASS LEGS

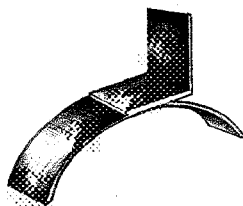
Optional brass legs are available for use with the Trimline 54. They are attached to the back of the enclosure by using the same pre-drilled holes as are used for the wall hangers. All hardware required is packed with the legs.



*spring  
loaded  
terminals*



*mounting  
brackets*



*brass  
leg*