

JBL LS360C Studio™ Series

JBL Loudspeaker Troubleshooting/Repair Tips

Most customers prefer to do simple loudspeaker repairs themselves. By following the steps below, a majority of loudspeakers can be returned to their original factory performance with minimum effort. Choose the example that best describes the problem you are experiencing.

Problem 1: No sound or distorted sound from one loudspeaker in a pair (or set)

Connect the dead/distorting loudspeaker to a different amplifier channel (one that had a functioning loudspeaker connected to it). If it functions normally, the problem is not loudspeaker-related. If the loudspeaker still makes no sound or sounds distorted, a wire may have become loose or disconnected, the network (also known as a crossover) may be defective, the drivers (woofer, tweeter, etc.) may be defective or, in very rare cases, all may be defective.

Refer to the wiring diagram and exploded view below. The network is a small circuit board found on the inside of the terminal cup, or mounted to an inside wall of the enclosure. It sends low-frequency sounds to the woofer, high-frequency sounds to the tweeter and, if applicable, mid-frequency sounds to the midrange driver. Make sure all wires are secure and connected. Look for components on the network that look burnt, "bulged," or abnormal. If everything looks normal, connect the network to the drivers from another matching loudspeaker. **MAKE SURE** you attach the correct wires to each driver – mid- and low-frequency sounds can damage the tweeter! If there is still no sound or distorted sound, the network is defective. If there is clean undistorted sound, the drivers are defective.

Problem 2: No sound or distorted sound from one or more (but not all) drivers in an enclosure

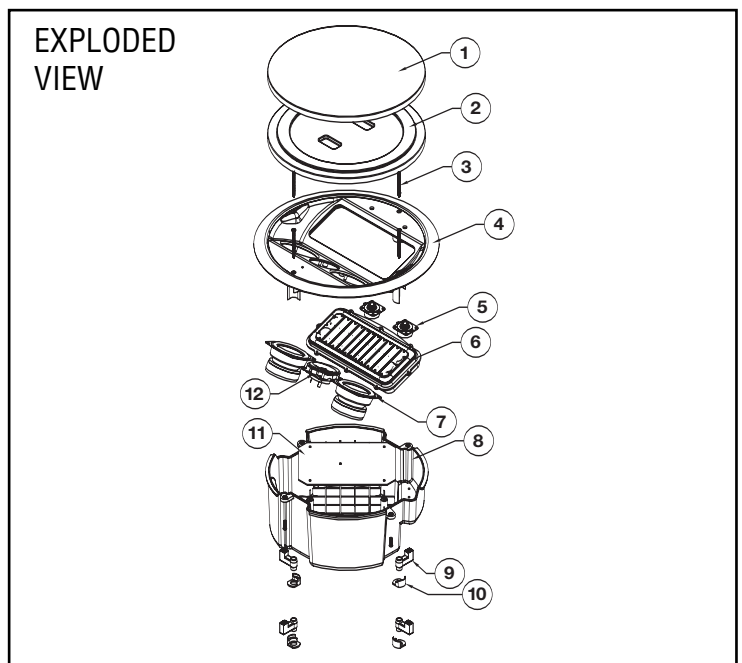
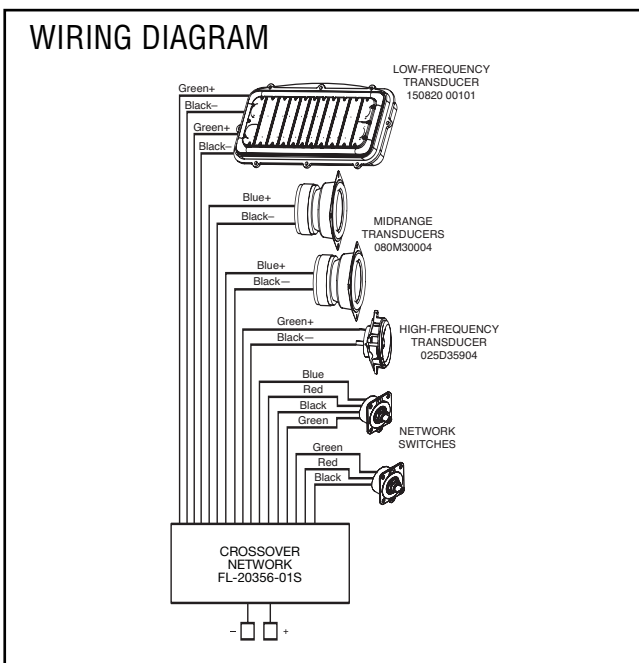
Remove the problem driver(s) from the enclosure and make sure all wires are secure and connected. If they are, proceed with the following test:

Woofer or midrange driver – Connect the driver's + and – input terminals directly to the loudspeaker wires from your receiver/amplifier and play some music at a reasonable volume. If the driver now sounds normal (produces a clean, undistorted sound), the network is most likely defective.

Tweeter – Replace the tweeter with a functioning tweeter from another loudspeaker. If the tweeter now functions normally (produces clean, undistorted sound), the original tweeter is defective. If the replacement tweeter also sounds distorted or produces no sound, the network is most likely defective.

Problem 3: Loudspeakers distort, rattle or pop at higher volumes

This is usually NOT a loudspeaker problem. Common causes are too much power (playing the loudspeakers too loud and causing them to distort), an amplifier with not enough power (the amplifier can't produce the required volume without distorting), excessive equalization (turning the tone controls too far clockwise, and/or engaging the loudness/bass boost button on your receiver) or some combination of the above. If only one loudspeaker is exhibiting the problem, and you're confident that it's not caused by too little power/too much power/excessive equalization, see solutions for Problems 1 and 2.



ITEM	PART NO.	DESCRIPTION	QTY.	ITEM	PART NO.	DESCRIPTION	QTY.
1	NT-20356-01	GRILLE	1	9	SP-20356-02	DOG	4
2	PC-20356-01	PAINT MASK	1	10	SP-20356-01	CAP. DOG	4
3	SR-1404-68	SCREW, DOG	4	11	FL-20356-01S	CROSSOVER NETWORK W/ SWITCHES	1
4	FR-20356-03PT	FRONT BAFFLE FRAME	1	12	025D35902	TWEETER 1"	1
5	SEE NETWORK	SWITCHES	2	13	HO-20356-01	CUTOUT TEMPLATE	1
		(TWEETER-LEVEL, BOUNDARY COMPENSATION)		14		WARRANTY CARD, 5 YEAR, JBL	1
6	150820 00101	WOOFER, FLAT PANEL	1	15	Visit www.jbl.com	OWNER'S MANUAL	1
7	080M30004	MIDRANGE, 3"	2	16	PO-20356-01	STYROFOAM™, RIGHT/LEFT	2
8		REAR ENCLOSURE	1	17	BO-20356-01A	OUTER CARTON	1

SERVICE NOTES

Access to the drivers and crossover network is accomplished by removing the four black screws holding the rear enclosure to the front baffle. When the baffle, with components, is lifted from the enclosure, connecting wires may be taut from the drivers and switches to the network, which is mounted on the inside of the rear baffle. You will need to unplug two switch moxlex connectors on the network board for full access to the components. Take care to plug these connectors back in before the LS360C is reassembled.