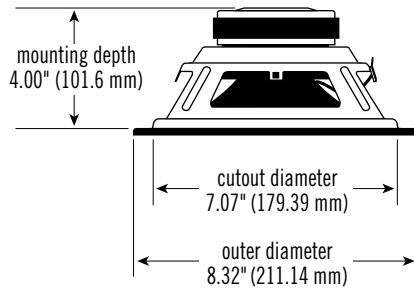


## SPECIFICATIONS

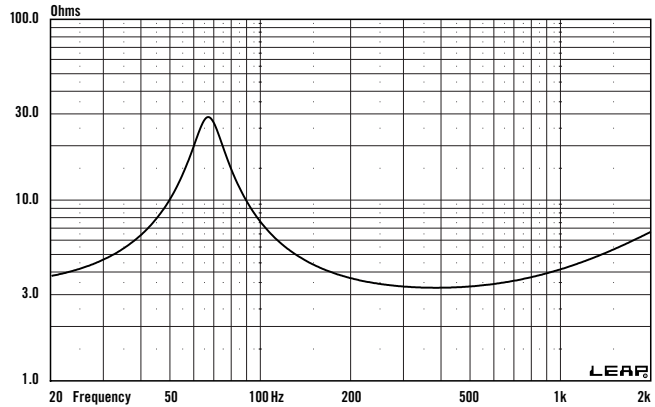
DIAMETER:	8" (0.32 MM)
SENSITIVITY (2.83 V @ 1 m):	90 dB
POWER HANDLING:	300 W <sub>RMS</sub>
FREQUENCY RESPONSE:	30 Hz ~ 1 kHz
NOMINAL IMPEDANCE:	4 OHMS
VOICE-COIL DIAMETER:	3.0" (76 MM)
DIMENSIONS:	



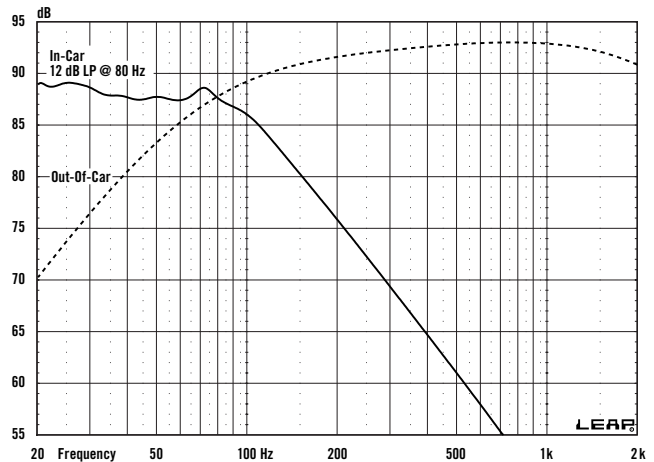
## THIELE-SMALL PARAMETERS

VOICE COIL DC RESISTANCE:	$R_{EVC}$ (OHMS) . . . . .	3.20
VOICE COIL INDUCTANCE @ 1 kHz:	$L_{EVC}$ (MH) . . . . .	0.49
DRIVER RADIATING AREA:	$S_D$ (IN <sup>2</sup> ) . . . . .	32.41
	$S_D$ (CM <sup>2</sup> ) . . . . .	210.00
MOTOR FORCE FACTOR:	$BL$ (TM) . . . . .	10.09
COMPLIANCE VOLUME:	$V_{AS}$ (FT <sup>3</sup> ) . . . . .	0.33
	$V_{AS}$ (LITERS) . . . . .	7.79
SUSPENSION COMPLIANCE:	$C_{MS}$ (μM/N) . . . . .	124.39
MOVING MASS, AIR LOAD:	$M_{MS}$ (GRAMS) . . . . .	45.36
MOVING MASS, DIAPHRAGM:	$M_{MD}$ (GRAMS) . . . . .	43.61
FREE-AIR RESONANCE:	$F_S$ (Hz) . . . . .	67.00
MECHANICAL Q:	$Q_{MS}$ . . . . .	4.80
ELECTRICAL Q:	$Q_{ES}$ . . . . .	0.60
TOTAL Q:	$Q_{TS}$ . . . . .	0.53
MAGNETIC-GAP HEIGHT:	$H_{AG}$ (IN) . . . . .	0.28
	$H_{AG}$ (MM) . . . . .	7.11
VOICE-COIL HEIGHT:	$H_{VC}$ (IN) . . . . .	0.75
	$H_{VC}$ (MM) . . . . .	19.05
MAXIMUM EXCURSION:	$X_{MAX}$ (IN) . . . . .	0.23
	$X_{MAX}$ (MM) . . . . .	5.97

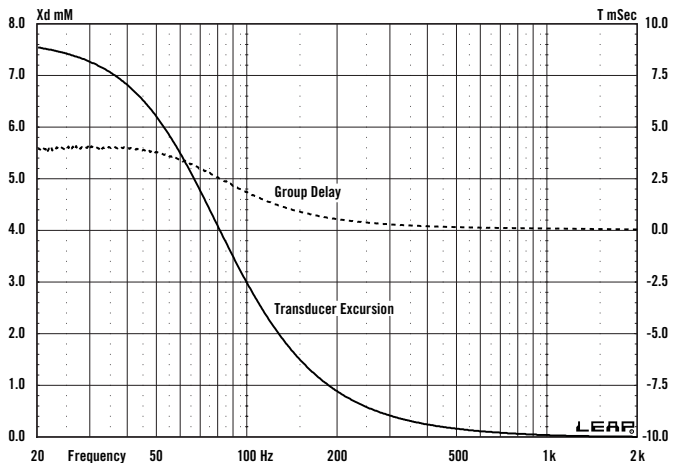
## IMPEDANCE CURVE



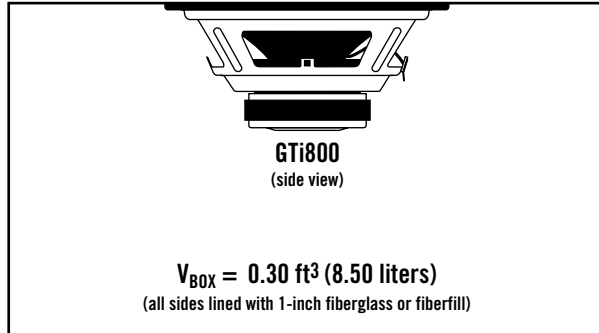
## INFINITE Baffle FREQUENCY RESPONSE @ 2.83 V



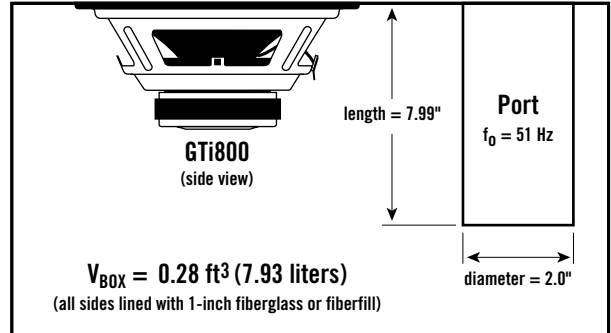
## INFINITE Baffle EXCURSION/GROUP DELAY @ 75 W



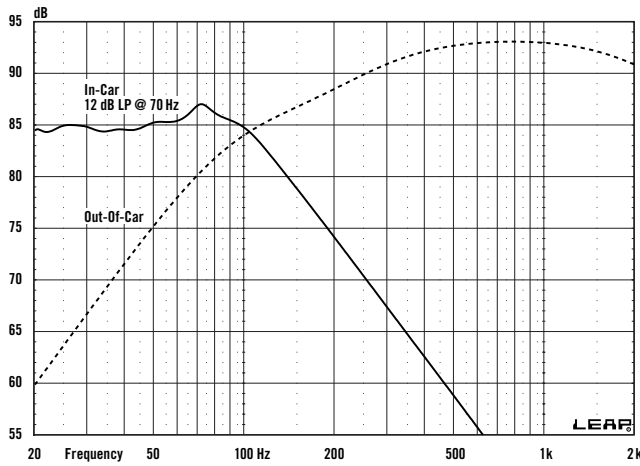
## SEALED BOX VOLUME



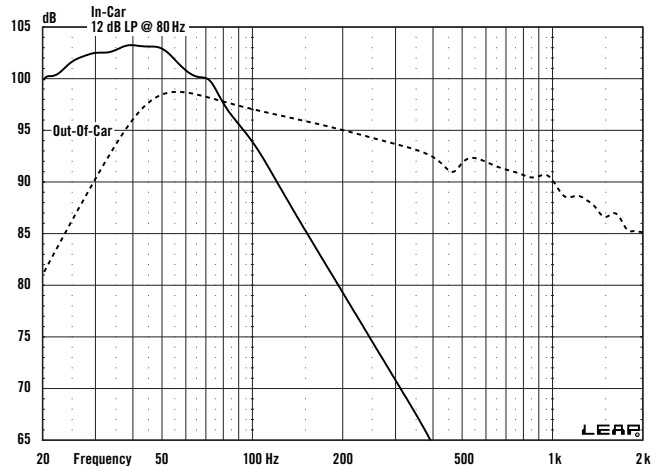
## VENTED BOX VOLUME



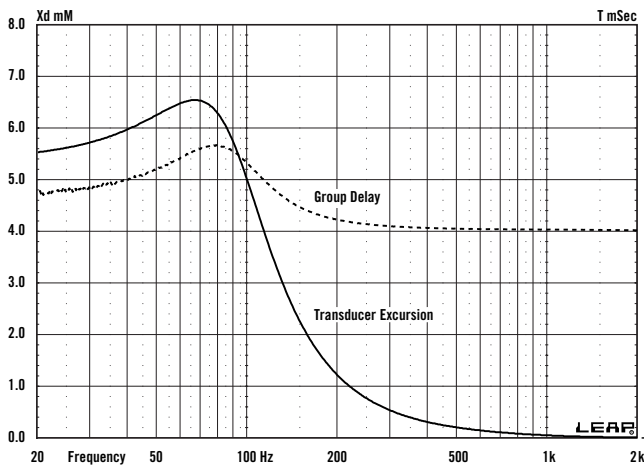
## SEALED FREQUENCY RESPONSE @ 2.83 V



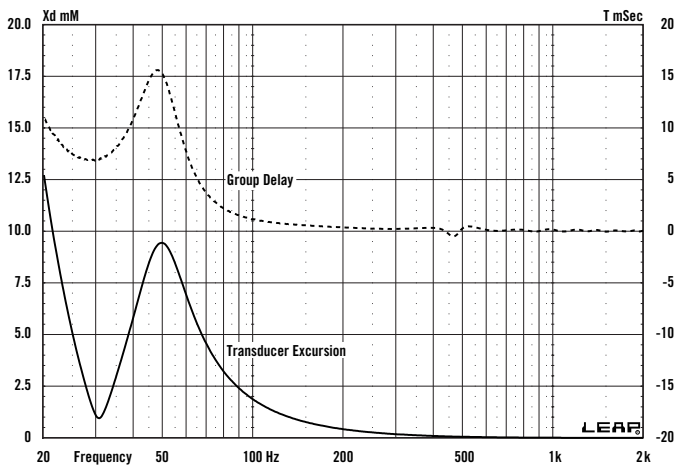
## VENTED FREQUENCY RESPONSE @ 2.83 V



## SEALED EXCURSION/GROUP DELAY @ 200 W



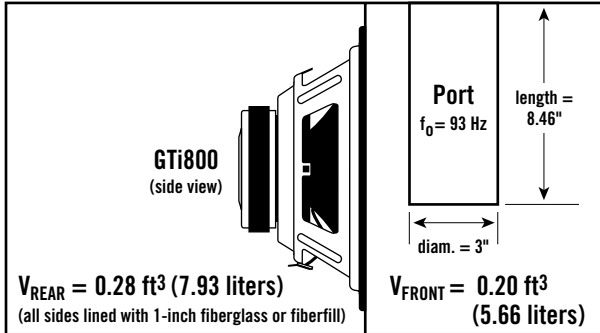
## VENTED EXCURSION/GROUP DELAY @ 375 W



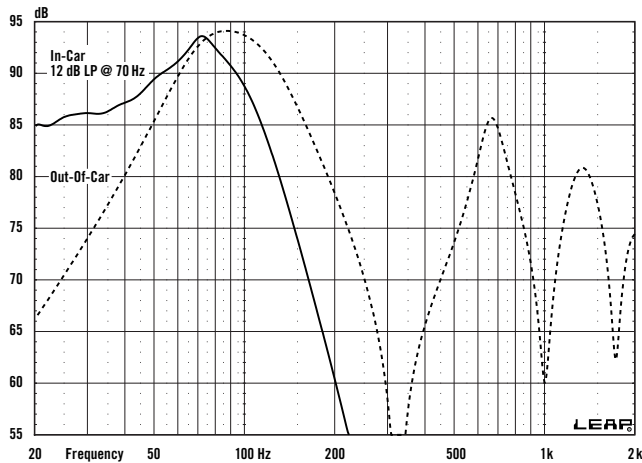


# 800GTi 8" Woofer – Technical Data

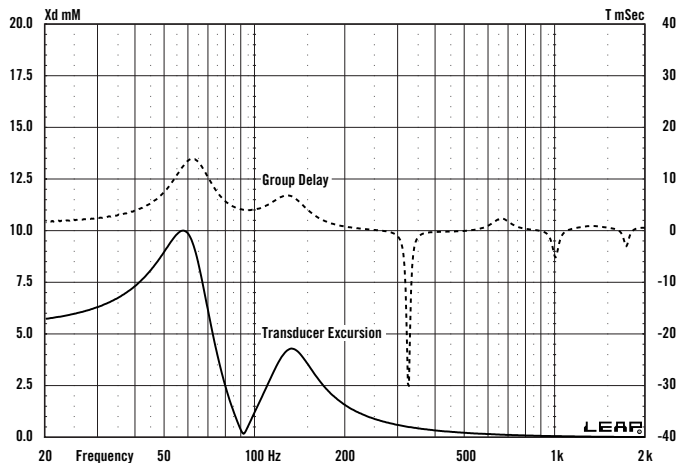
## SEALED BANDPASS BOX VOLUME



## SEALED BANDPASS FREQUENCY RESPONSE @ 2.83 V



## SEALED BANDPASS EXCURSION/GROUP DELAY @ 300 W



## NOTES