

Speakers not included.

JBL Consumer Products
250 Crossways Park Drive, Woodbury, NY 11797 www.jbl.com
© 2005 Harman International Industries, Incorporated. All rights reserved.
JBL is a registered trademark of Harman International Industries, Incorporated.
Part No. 406-000-05066

A Harman International Company

JBL

®

JBL
FS1000

®

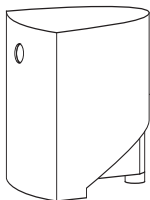
Thank you for choosing JBL

For more than 55 years, JBL has been involved in every aspect of music and film recording and reproduction, from live performances to the recordings you play in your home, car or office. We're confident that the JBL products you have chosen will provide every note of enjoyment that you expected – and that when you think about purchasing additional audio equipment for your home, car or office, you will once again choose JBL.

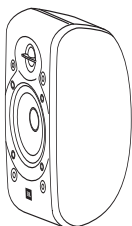
JBL Consumer Products

For use...

...with all JBL
SCS115,
SCS125,
SCS135,
SCS136,
SCS138,
SCS140,
SCS145,
SCS146,
SCS150,
SCS160,
SCS180
and ESC
systems

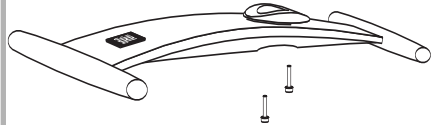
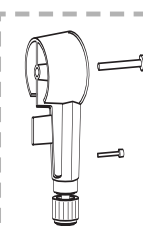
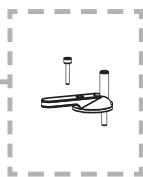


...with all JBL
SCS200,
SCS260,
SCS300 and
DSC systems



Included

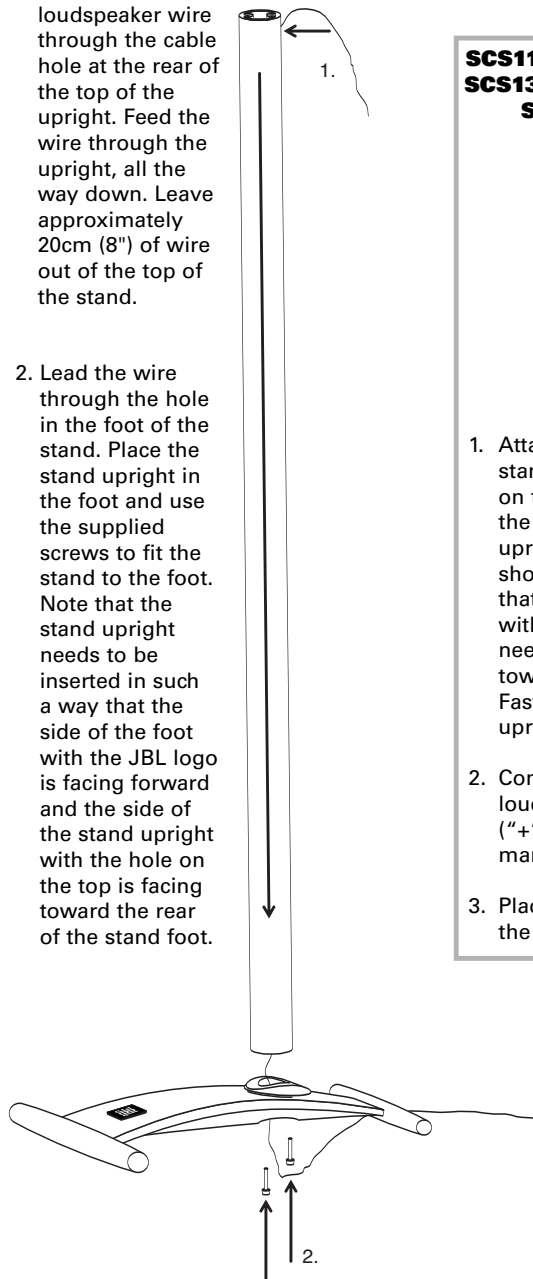
x2



1. Assembly

1. Insert the loudspeaker wire through the cable hole at the rear of the top of the upright. Feed the wire through the upright, all the way down. Leave approximately 20cm (8") of wire out of the top of the stand.

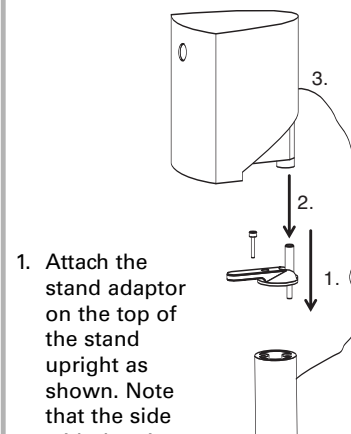
2. Lead the wire through the hole in the foot of the stand. Place the stand upright in the foot and use the supplied screws to fit the stand to the foot. Note that the stand upright needs to be inserted in such a way that the side of the foot with the JBL logo is facing forward and the side of the stand upright with the hole on the top is facing toward the rear of the stand foot.



2. Attach speaker

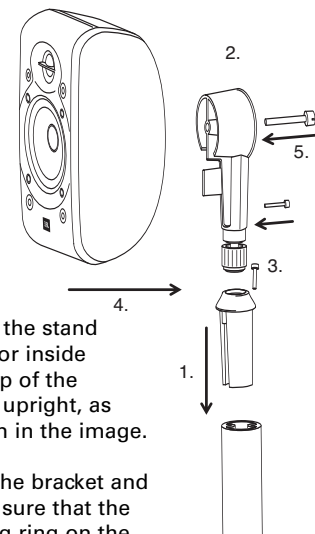
Depending on which speakers you would like to attach, follow the steps below.

**SCS115, SCS125, SCS135, SCS136,
SCS138, SCS140, SCS145, SCS146,
SCS150, SCS160, SCS180
and ESC variants**



1. Attach the stand adaptor on the top of the stand upright as shown. Note that the side with the pins needs to be toward the rear of the stand pole. Fasten the adaptor to the stand upright with the screw supplied.
2. Connect the loudspeaker wire to the loudspeaker, respecting the polarity ("+" and "-"; refer to the owner's manual of your loudspeakers).
3. Place the loudspeaker securely on the stand, using the locating pin.

**SCS200, SCS260,
SCS300 and DSC**



1. Insert the stand adaptor inside the top of the stand upright, as shown in the image.
2. Take the bracket and make sure that the locking ring on the bottom of the bracket is rotated all the way up.
3. Screw the bracket into the adaptor in the stand upright. Just before the bracket has been screwed in completely, position the bracket so that the closed side is facing rearward. Rotate the locking ring on the bottom of the bracket down to tighten the bracket to the stand.
4. Take the loudspeaker wire, and split the two leads. Insert the two leads through the hole on the back of the bracket. Connect the loudspeaker wire to the loudspeaker, respecting the polarity ("+" and "-"; refer to the owner's manual of your loudspeakers).
5. Attach the loudspeaker to the bracket, using the supplied screws.