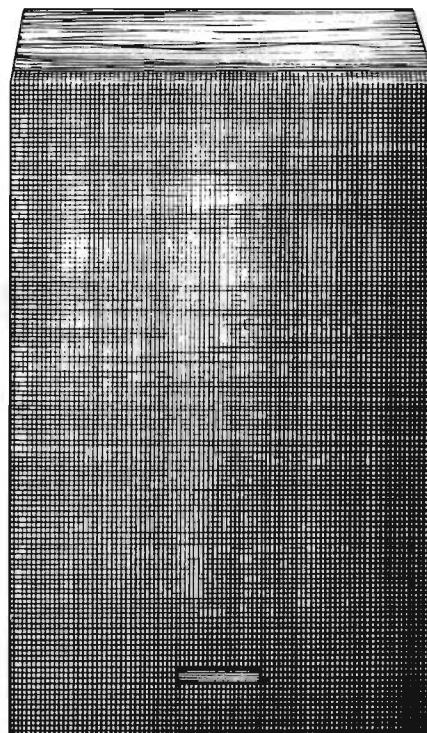
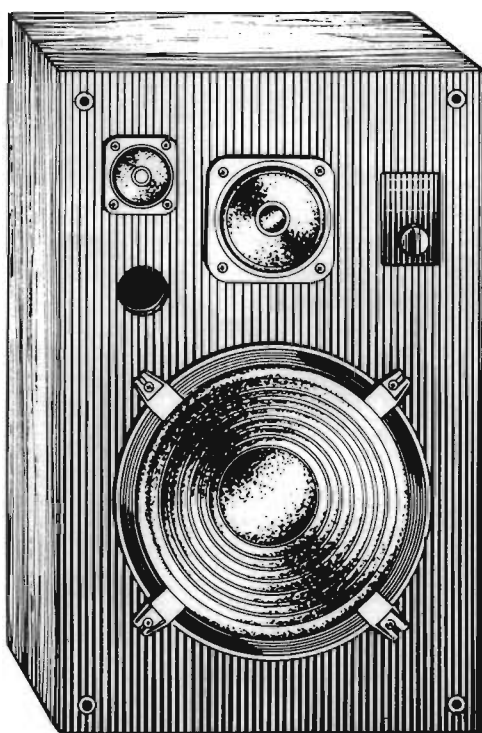


The Harman Kardon Model S150P

Manual No. 25A

3-WAY 3-SPEAKER SYSTEM

Technical Manual



harman/kardon

240 CROSSWAYS PARK WEST, WOODBURY, N.Y. 11797
PRINTED IN JAPAN 1112-H15225A5 P-07819

SPECIFICATIONS

Speakers		Sensitivity	95 dB/W(at 1 m)
Woofer	308 mm (12-1/8") Cone Type x 1	Frequency Response	27 Hz to 22,000 Hz
Midrange	121 mm (4-3/4") Cone Type x 1	Crossover Frequencies	2,500 Hz, 8,000 Hz
Tweeter	63 mm (2-1/2") Cone Type x 1	Dimensions	W 408 mm (16-1/16")
Max. Power Input	150 Watts	H 648 mm (25-1/2")	D 270 mm (10-5/8")
Nominal Power Input	75 Watts	Weight	12.8 kg (28.2 lbs.)
Impedance	8 Ω		

Specifications and components subject to change without notice.
Overall performance will be maintained or improved.

DISASSEMBLY PROCEDURES

SPEAKER (WOOFER) REMOVAL

1. Pull up front grille.
2. Remove four screws **A** fixing the holder to the speaker box.
3. Remove four screws **B** fixing the speaker (woofer) to the speaker box.
4. Disconnect the leads (green and black) w/connector connecting to the speaker (woofer).

SPEAKER (MID-RANGE) REMOVAL

5. Complete steps 1 through 4.
6. Remove four screws **C** fixing the speaker (mid-range) to the speaker box.
7. Disconnect the leads (blue and black) w/connector connecting to the speaker (mid-range).

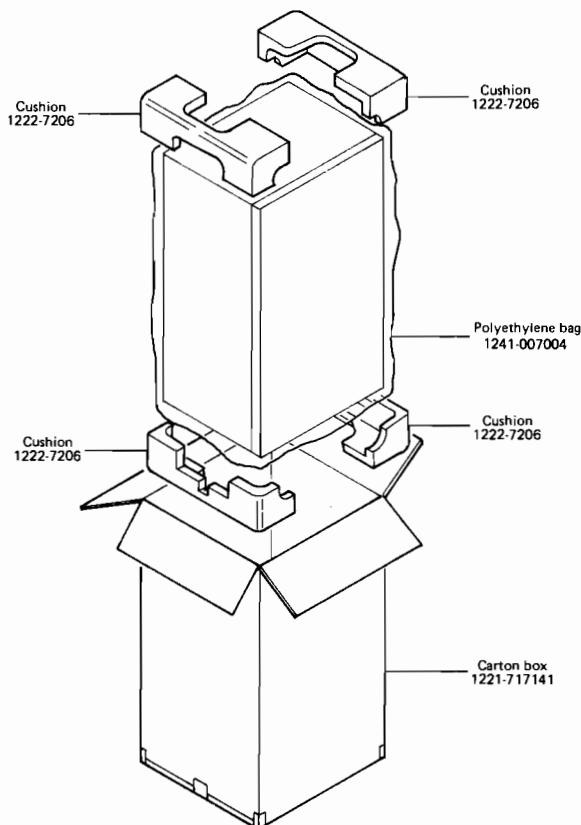
SPEAKER (TWEETER) REMOVAL

8. Complete steps 1 through 7.
9. Remove four screws **D** fixing the speaker (tweeter) to the speaker box.
10. Disconnect the leads (red and black) w/connector connecting to the speaker (tweeter).

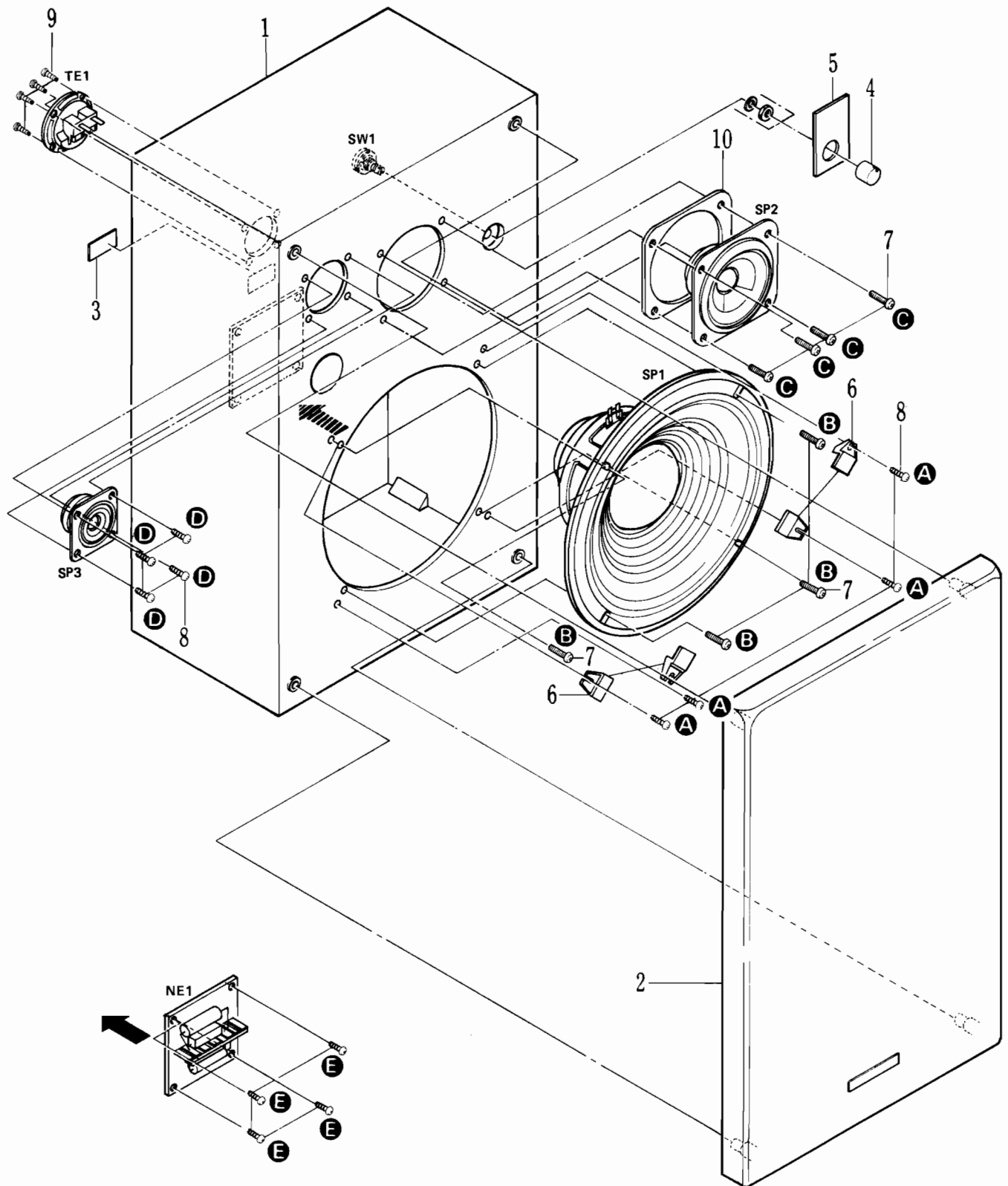
NETWORK REMOVAL

11. Complete steps 1 through 10.
12. Disconnect the leads (green and black) w/connector connecting to the terminal.
13. Remove the nut fixing level control switch on the speaker box.
14. Remove four screws **E** fixing the network to the speaker box.

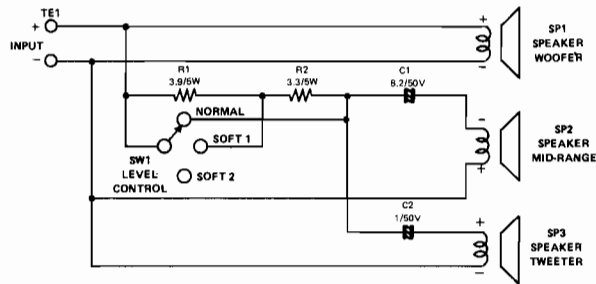
PACKAGE



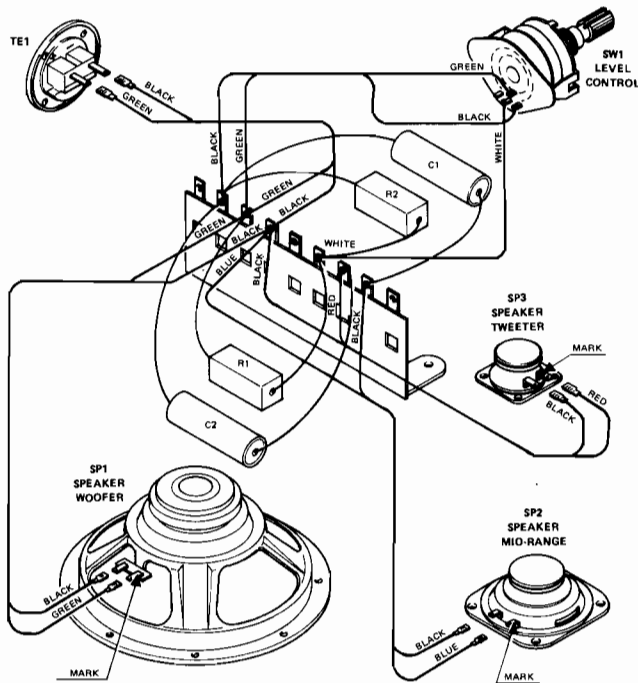
GENERAL UNIT EXPLODED VIEW



SCHEMATIC DIAGRAM



WIRING DIAGRAM



GENERAL UNIT PARTS LIST

Ref. No.	Part No.	Description
1	1315-717024	Speaker Box
2	1525-00201	Front Grille
3	1756-04603	Label
4	1632-09401	Knob, Level Control
5	1721-01803	Indication Plate
6	2244-7001	Holder, Woofer Speaker
7	2327-402049	Special Screw
8	2347-40164	Special Screw
9	2354-31134	Special Screw
10	2116-0113	Packing

ELECTRICAL PARTS LIST

SP1	5811-C300712	Speaker, Woofer, 308mm
SP2	5811-C1207129	Speaker, Midrange, 121mm
SP3	5811-C065718	Speaker, Tweeter, 63mm
TE1	4215-7006	Terminal
NE1	4381-7001	Network