

# JBL KHM10 Karaoke Monitor/RM10 Rock Monitor

## JBL Loudspeaker Troubleshooting/Repair Tips

Most customers prefer to do simple loudspeaker repairs themselves. By following the steps below, a majority of loudspeakers can be returned to their original factory performance with minimum effort. Choose the example that best describes the problem you are experiencing.

### **Problem 1: No sound or distorted sound from one loudspeaker in a pair (or set)**

Connect the dead/distorting loudspeaker to a different amplifier channel (one that had a functioning loudspeaker connected to it). If it functions normally, the problem is not loudspeaker-related. If the loudspeaker still makes no sound or sounds distorted, a wire may have become loose or disconnected, the network (also known as a crossover) may be defective, the drivers (woofer, tweeter, etc.) may be defective or, in very rare cases, all may be defective.

Refer to the wiring diagram and exploded view below. The network is a small circuit board found on the inside of the terminal cup, or mounted to an inside wall of the enclosure. It sends low-frequency sounds to the woofer, high-frequency sounds to the tweeter and, if applicable, mid-frequency sounds to the midrange driver. Make sure all wires are secure and connected. Look for components on the network that look burnt, "bulged," or abnormal. If everything looks normal, connect the network to the drivers from another matching loudspeaker. **MAKE SURE** you attach the correct wires to each driver – mid- and low-frequency sounds can damage the tweeter! If there is still no sound or distorted sound, the network is defective. If there is clean undistorted sound, the drivers are defective.

### **Problem 2: No sound or distorted sound from one or more (but not all) drivers in an enclosure**

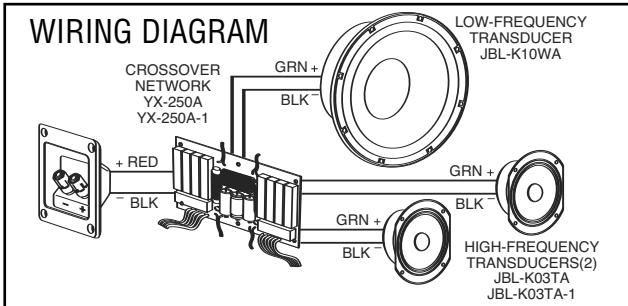
Remove the problem driver(s) from the enclosure and make sure all wires are secure and connected. If they are, proceed with the following test:

**Woofer or midrange driver** – Connect the driver's + and – input terminals directly to the loudspeaker wires from your receiver/amplifier and play some music at a reasonable volume. If the driver now sounds normal (produces a clean, undistorted sound), the network is most likely defective.

**Tweeter** – Replace the tweeter with a functioning tweeter from another loudspeaker. If the tweeter now functions normally (produces clean, undistorted sound), the original tweeter is defective. If the replacement tweeter also sounds distorted or produces no sound, the network is most likely defective.

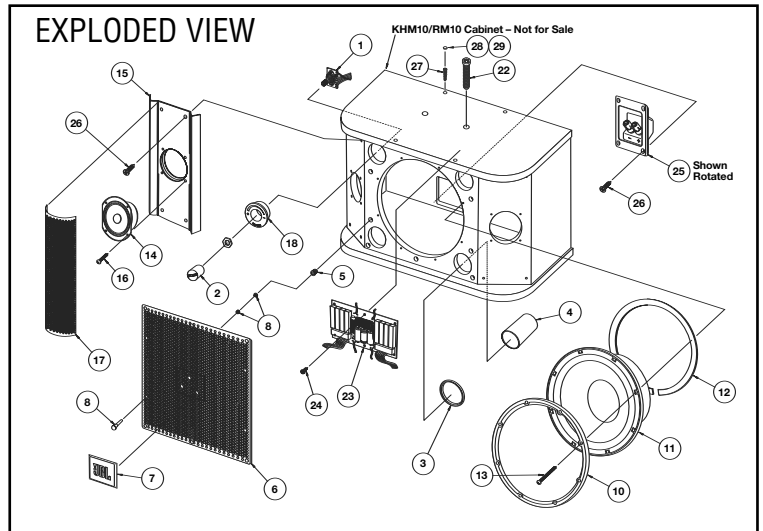
### **Problem 3: Loudspeakers distort, rattle or pop at higher volumes**

This is usually NOT a loudspeaker problem. Common causes are too much power (playing the loudspeakers too loud and causing them to distort), an amplifier with not enough power (the amplifier can't produce the required volume without distorting), excessive equalization (turning the tone controls too far clockwise, and/or engaging the loudness/bass boost button on your receiver) or some combination of the above. If only one loudspeaker is exhibiting the problem, and you're confident that it's not caused by too little power/too much power/excessive equalization, see solutions for Problems 1 and 2.



#### SERVICE NOTES:

1. Metal grille(s) must be extracted if tweeter(s) require(s) service. This can be accomplished with a dental pick having a fine point, or similar tool. Insert the tip of the tool near one of the outer, top or bottom edges and pull the edge of the grille slowly out of the slot, frequently changing positions so the grille will be extracted evenly.
2. Note the crossover network is not integrated with the rear terminal cup, and must be accessed through the woofer opening.



ITEM NO.	DESCRIPTION	QTY.	PART NO.	ITEM NO.	DESCRIPTION	QTY.	PART NO.
1.	Tweeter Volume Control	2	TA1906	16.	Tweeter Screw	8	SM4TA059-N
2.	Knob	2	TA1882	17.	Tweeter Grille	2	ME01F147-1
	Knob (White)	2	TA2080		Tweeter Grille (White)	2	ME01F147-2
3.	Port Trim Ring	2	AT05S005	18.	Knob Panel	2	TA1820
	Port Trim Ring (White)	2	AT05S007		Knob Panel (White)	2	TA2079
4.	Port	2	AT04P005		Outer Carton (KHM10)	1	CT5269
5.	Grille Retainers	10	TA1822		Outer Carton (KHM10, White)	1	CT5616
	Grille Retainers (White)	10	TA2083		Outer Carton (RM10)	1	CT5617
6.	Front Grille	1	ME10F34-1		Outer Carton (RM10, White)	1	CT5627
	Front Grille (White)	1	ME10F34-2		Packing Foam (Set)	1	PF0419
7.	Logo	1	NP-JK7658		Packing Foam (Set, White)	1	PF3090
8.	Woofer Grille Holder With Washer Set	10	GH-P19WS		Owner's Manual KHM10	1	PRE1879
	Woofer Grille Holder With Washer Set (White)	10	GH-P19WS-1		Owner's Manual RM10	1	PRE1986
	Self-Adhesive Rubber Feet (Set)	1	RB-1856	22.	Bolts (for bracket) on Top	2	SM8CM001-N
	Self-Adhesive Rubber Feet (Set, White)	1	RB-1856-1		Bolts (for bracket) on Top, White	2	SM8CM001-N10
10.	Woofer Trim Ring	1	CL10033-1	23.	Crossover Network (KHM10)	1	YX-250A
	Woofer Trim Ring (White)	1	CL10033-2		Crossover Network (KHM10 rev2, RM10)	1	YX-250A-1
11.	Woofer	1	JBL-K10WA	24.	Network Screw	6	SM4PA048-N
12.	Woofer Gasket	1	GK01H590	25.	Terminal Cup	1	TA-1836
13.	Woofer Screw	8	SM4TA050-N	26.	Terminal Cup/Horn Screw	12	SM4KA086-N
	Woofer Screw (White)	8	SM4TA050-N10	27.	Cabinet Screw	8	SM4KA087-N
14.	Tweeter (KHM10)	2	JBL-K03TA		Cabinet Screw (White)	8	SM4KA087-N10
	Tweeter (White, KHM10 rev2, RM10)	2	JBL-K03TA-1	28.	Plastic Plug	8	TA2023
15.	Tweeter Horn	2	BF01209	29.	Plastic Plug (White)	8	TA2085
	Tweeter Horn (White)	2	BF01224				