

# Technical Manual

# IS8C Performance™ Series



### ACOUSTIC & ELECTRICAL SPECIFICATIONS:

- Nominal Impedance 8 Ohms
- Max Amp Power 100 Watts\*
- Frequency Response 32Hz – 20kHz (-10dB)
- Sensitivity 89dB (2.83V @ 1 meter)
- Crossover Frequency 2,400Hz

### SYSTEM COMPONENTS:

- Grille With Cloth 329-080-00445-0WAE
- Low-Frequency Transducer 8" (203mm) Titanium-laminate cone w/rubber surround (20PR10CAO-FW01-P)
- DC Resistance 5.5 Ohms, ±10%
- High-Frequency Transducer 1" (25mm) Titanium-laminate dome (20PR10CAO-FW01-P)
- DC Resistance 5.3 Ohms, ±10%
- Crossover Network 013-7600-05195-E

### AURAL SWEEP TEST SPECIFICATIONS:

- System Aural Sweep Test 6.0V Input 30Hz to 20kHz
- L.F. Aural Sweep Test 5.0V Input 30Hz to 2kHz
- H.F. Aural Sweep Test 2.83V Input 4kHz to 20kHz

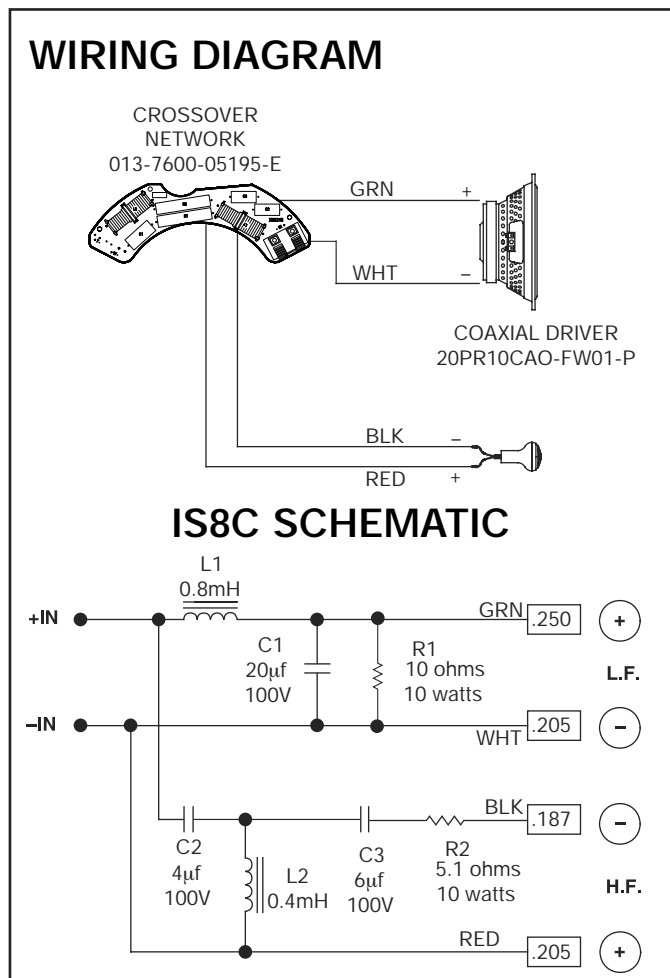
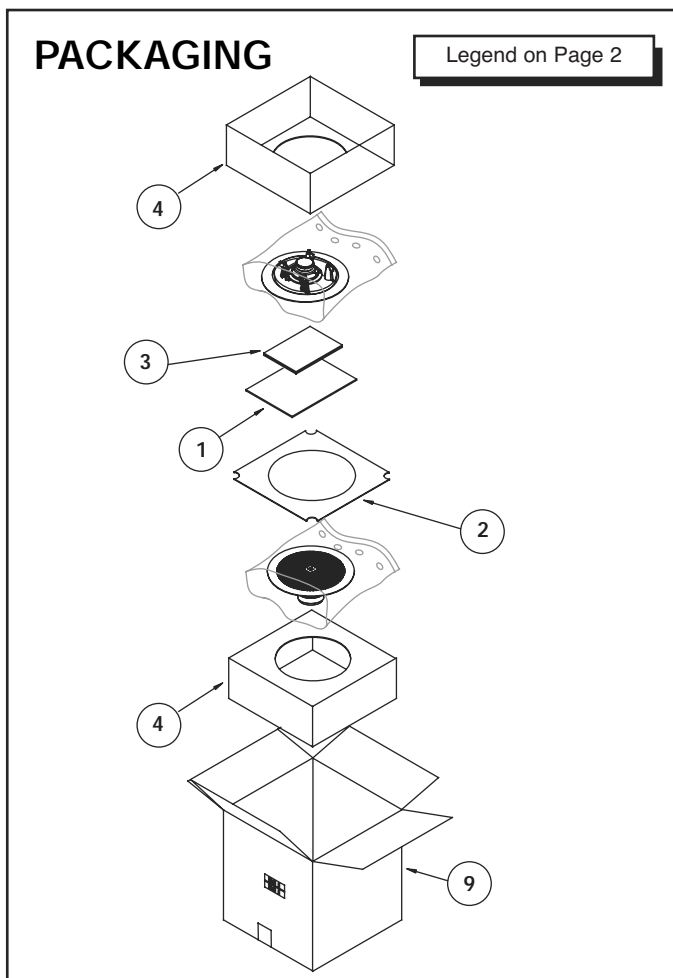
### PHYSICAL SPECIFICATIONS:

- Plate Size (Diameter) 10-7/8" (275mm)
- Mounting Cutout Size (Diameter) 9-1/2" (240mm)
- Mounting Depth 4-1/4" (108mm)
- Weight 11.2 lb/5.0kg (sold in pairs)

### WARRANTY:

- Refer to Warranty Statement packed with each product.

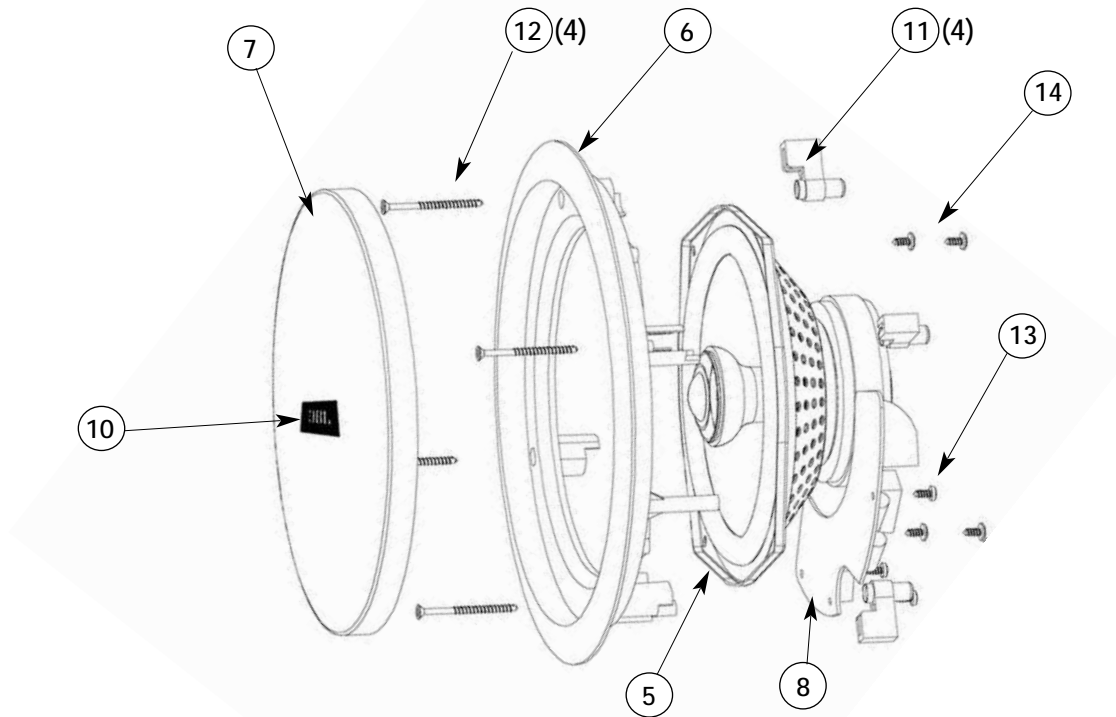
\* The maximum recommended amplifier power rating will ensure proper system headroom to allow for occasional peaks. We do not recommend sustained operation at these maximum power levels.



IS8C Performance™ Series



## EXPLODED VIEW



ITEM NO.	PART NO.	DESCRIPTION
1	406-000-05371-E	OWNER'S MANUAL
2	404-000-00222-E	TEMPLATE
3	405-000-05008-E	WARRANTY CARD
4	431-000-00767-E	POLYFOAM
5	20PR10CAO-FW01-P	COAXIAL DRIVER (woofer and tweeter)
6	301-ABS-00302-0WAE	BAFFLE
7	329-080-00445-0WAE	GRILLE W/CLOTH
8	013-7600-05195-E	CROSSOVER NETWORK
9	402-000-05531-E	OUTER CARTON
10	316-PC-05201-1TAE	JBL LOGO
11	325-ABS-00323-0BAE	DOG EAR
12	352-BM04549D1057-E	DOG EAR SCREW
13	352-CM04008D144-E	NETWORK SCREW
14	352-FM04010D462-E	WOOFER SCREW

IS8C ROUGH-IN FRAME PART #RIF8C

IS8C Performance™ Series