

**GRAND
TOURING[®]
SERIES**

**GT5-1204BP
GT5-2402BR
GT5-1204BR**

subwoofer enclosures
owner's manual

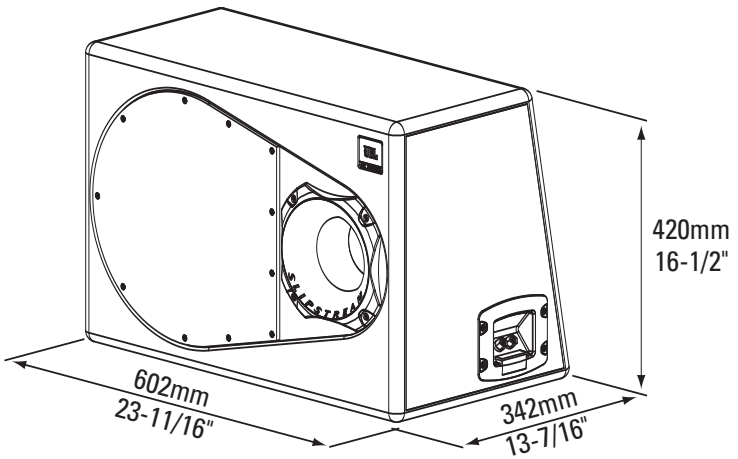
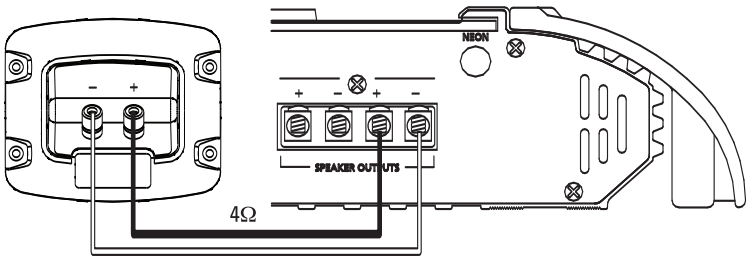
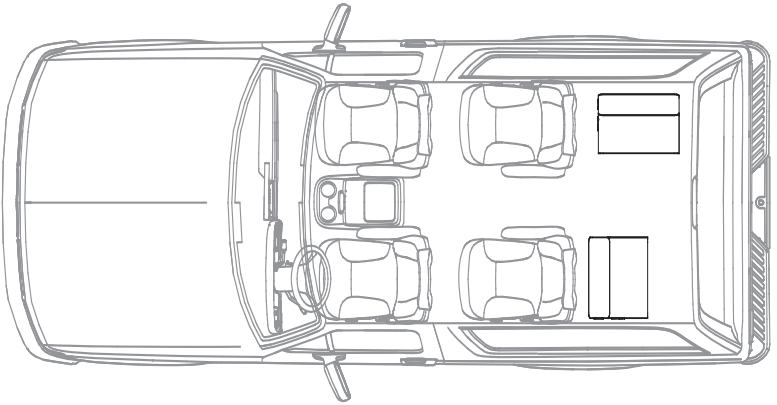


JBL

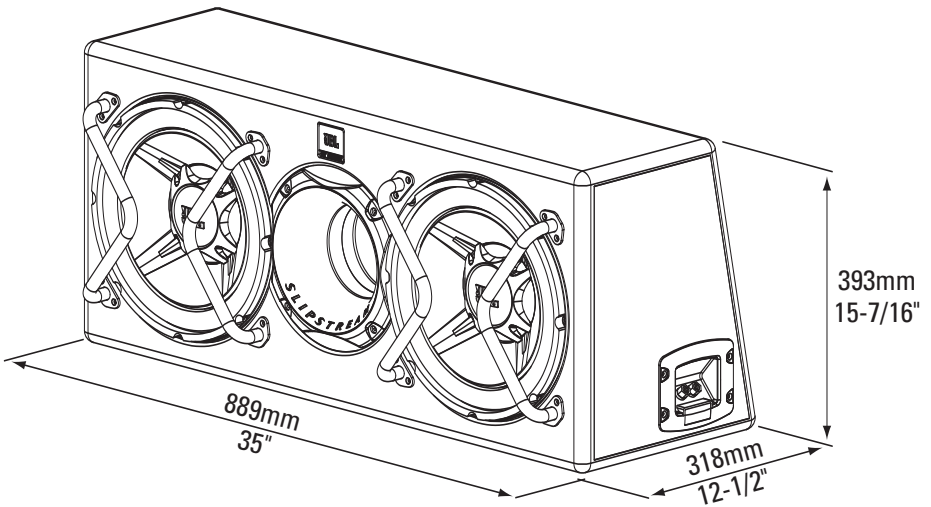
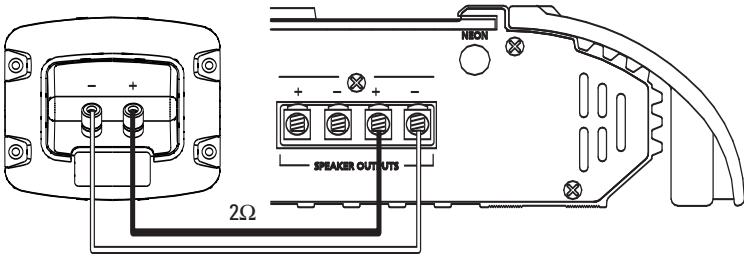
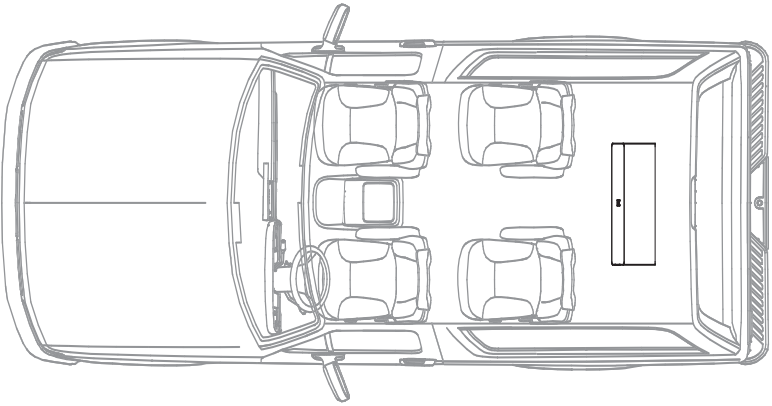
**THE OFFICIAL BRAND
OF LIVE MUSIC.[®]**

Designed and Engineered
in the USA

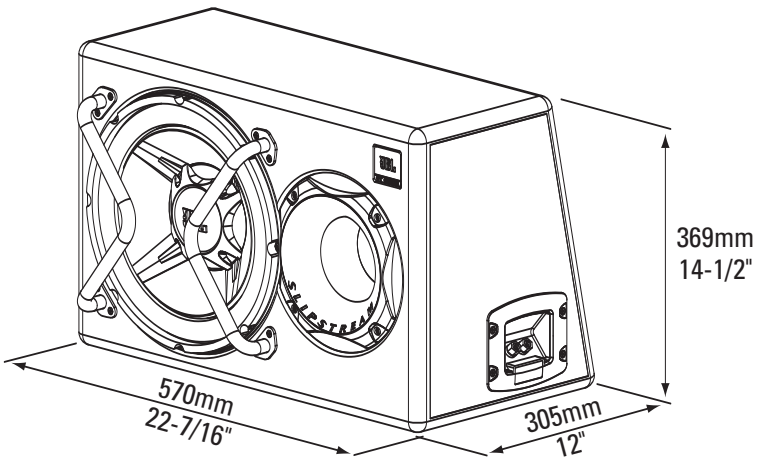
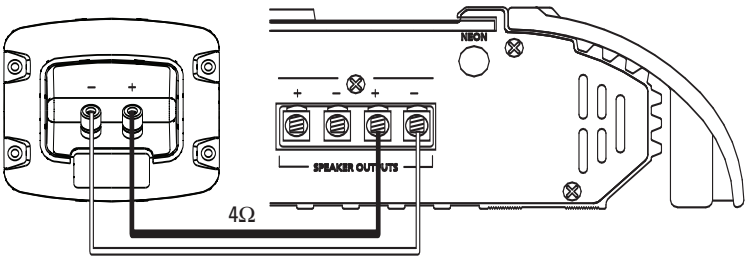
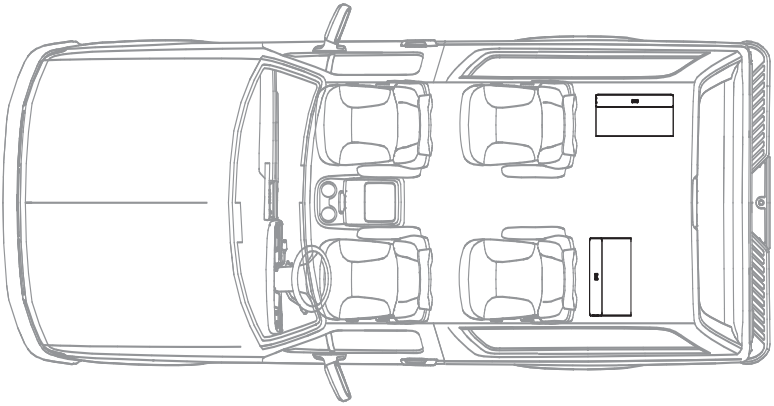
GT5-1204BP



GT5-2402BR



GT5-1204BR



SPECIFICATIONS

	GT5-1204BP	GT5-2402BR	GT5-1204BR
Power Handling, RMS	275W	550W	275W
Power Handling, Peak	1100W	1600W	1100W
Frequency Response	35Hz – 100Hz	40Hz – 200Hz	45Hz – 150Hz
Impedance	4 Ohms	2 Ohms	4 Ohms

GENERAL CARE

The loudspeaker may be cleaned with a damp cloth.
Do not use any cleaners or solvents on the grilles or the speaker cones.

WARRANTY

GT5 enclosures are warranted against defects. The duration of the enclosure's warranty depends on the laws in the country in which it was purchased. Your local JBL car audio retailer can help you determine the length of your warranty. To register your product, please visit us at www.jbl.com.

The JBL logo is displayed in a white square on a dark grey background. The letters 'JBL' are in a bold, black, sans-serif font. The 'J' and 'L' have a distinctive shape with a vertical bar on the left and right sides respectively.

A valid serial number is required for warranty coverage.

Features, specifications and appearance are subject to change without notice.

This product is designed for mobile applications and is not intended for connection to the mains.

Harman Consumer Group, Inc. • 2 route de Tours, 72500 Château du Loir, France • www.jbl.com

© 2007 Harman International Industries, Incorporated. All rights reserved. Part No. GT5ENCOM11/07

JBL and Grand Touring are trademarks of Harman International Industries, Incorporated, registered in the United States and/or other countries.

H A Harman International Company



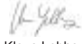
Declaration of Conformity



We, Harman Consumer Group, Inc.
2, route de Tours
72500 Château du Loir
France

declare in own responsibility that the products described in this owner's manual are in compliance with technical standards:

EN 61000-6-3:2001
EN 61000-6-1:2001


Klaus Lebherz
Harman Consumer Group, Inc.
Château du Loir, France 11/07

JBL

www.jbl.com