

The JBL logo is a black square with the letters 'JBL' in white, bold, sans-serif font.

Simply Cinema™



Simple Set-up Guide 230V

Congratulations on choosing JBL. For over 50 years, JBL has been involved in every aspect of musical and film recording and reproduction, from live performances to monitoring the recordings you will soon play in your home, office, or home theatre. We're confident that the JBL products you have chosen will provide every note of musical enjoyment you expected – and that when you think about additional loudspeakers for your home and your car, you will once again choose JBL. Take a moment to complete the enclosed profile card. It enables us to keep you posted on our latest advancements, and helps us to better understand our customers and build products that meet your needs and expectations.

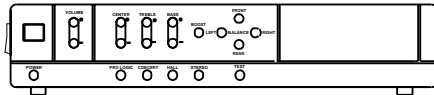
JBL Consumer Products

Please read this manual carefully before you begin

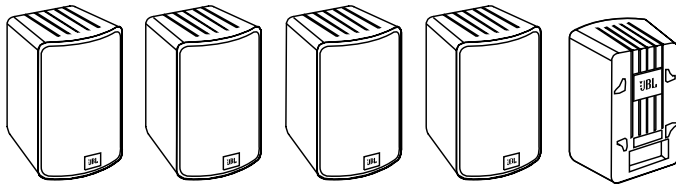
Included:

- Dolby Pro-Logic® processor with 6 amplifiers
- 5 video-shielded satellites, wall-mountable, for front, center and rear channels
- Powerful subwoofer for deep bass
- Remote control
- All necessary cables and wires
- Complete, simple to follow, set-up guide

Processor/amplifier



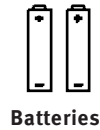
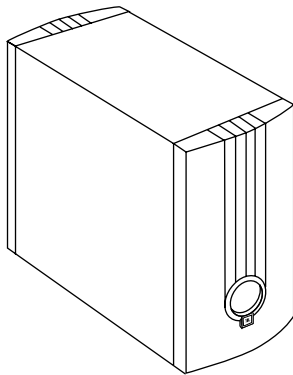
Front, rear and center speakers with rotating logo



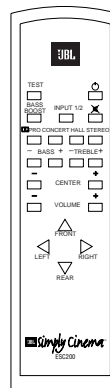
Wall-Mounting Your ESC200 Satellites:

The ESC200 Satellites may be wall-mounted. The customer is responsible for proper selection and use of mounting hardware available through hardware stores to properly and safely wall-mount the ESC200 Satellites. This product is not intended for ceiling mounting.

Subwoofer

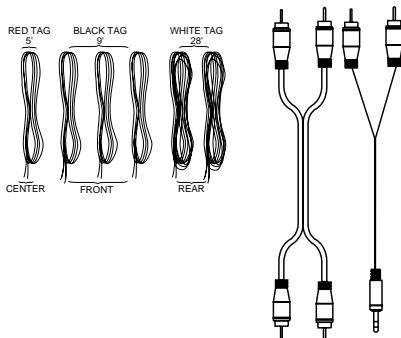


Batteries



Remote

Cables



Declaration of Conformity

CE

We, JBL Europe A/S
Kongevejen 194B
DK-3460 Birkerød
DENMARK

declare in own responsibility, that the processing unit described in this owner's manual is in compliance with technical standards:

EN 55 013/6.1990
EN 55 020/6.1988
EN 55 022/6.1993
EN 60 065/1994
EN 60 555-2-3/1987/88

Steen
Steen Michaelsen
JBL Europe A/S
Birkerød, DENMARK, 7/96

Declaration of Conformity

CE

We, JBL Europe A/S
Kongevejen 194B
DK-3460 Birkerød
DENMARK

declare in own responsibility, that the loudspeakers described in this owner's manual are in compliance with technical standards:

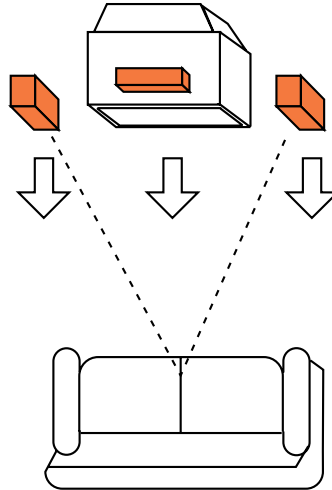
EN 50 081-1/1992
EN 50 082-1/3.1995

Steen
Steen Michaelsen
JBL Europe A/S
Birkerød, DENMARK, 7/96

Speaker Placement

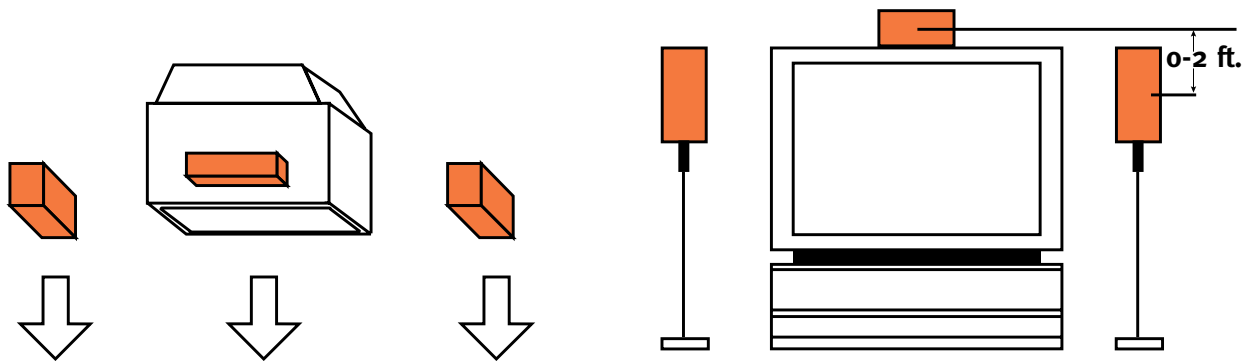
1

Satellite speakers

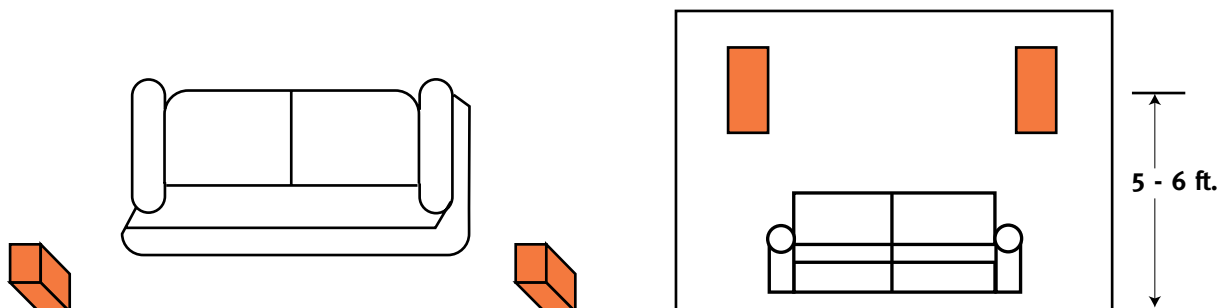


Place the center speaker even with the left and right speakers, or slightly behind.

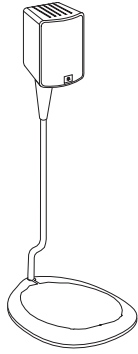
Place all three front speakers at approximately the same height (Height of ears preferable).



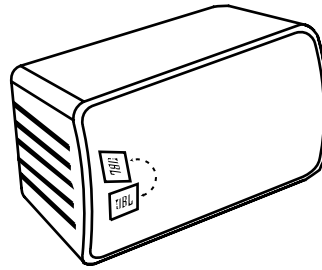
Rear speakers



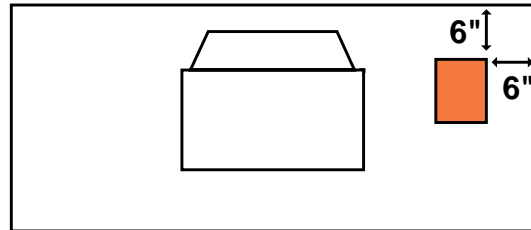
On optional stands.
Part No.
FS10/20.



Rotating logo.
Pull out gently and turn.



Optimum subwoofer placement, positioned vertically or horizontally.



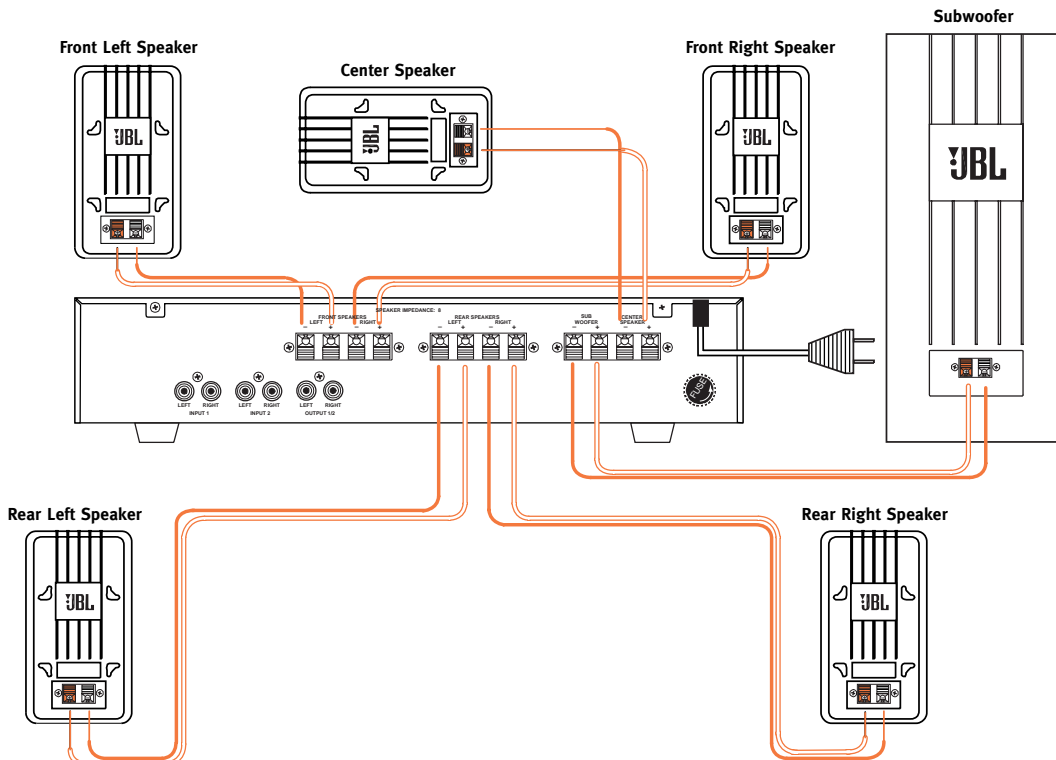
Speaker Connection

2 To connect your speakers, press down on the quick release tab, which opens the terminal for the speaker wire, and put the wire in straight. Release the tab and give the speaker wire

a gentle tug. If it's in properly, it won't "give" at all. If it slides, repeat the procedure. Use the shortest wire for the CENTER speaker, the two medium-length wires for the

FRONT speakers, and the long wires for the REAR speakers. Always insert the RED coated wire into the RED terminal and the BLACK coated wire into the

BLACK terminals on each of your speakers and the appropriate terminal on the back of the PROCESSOR.



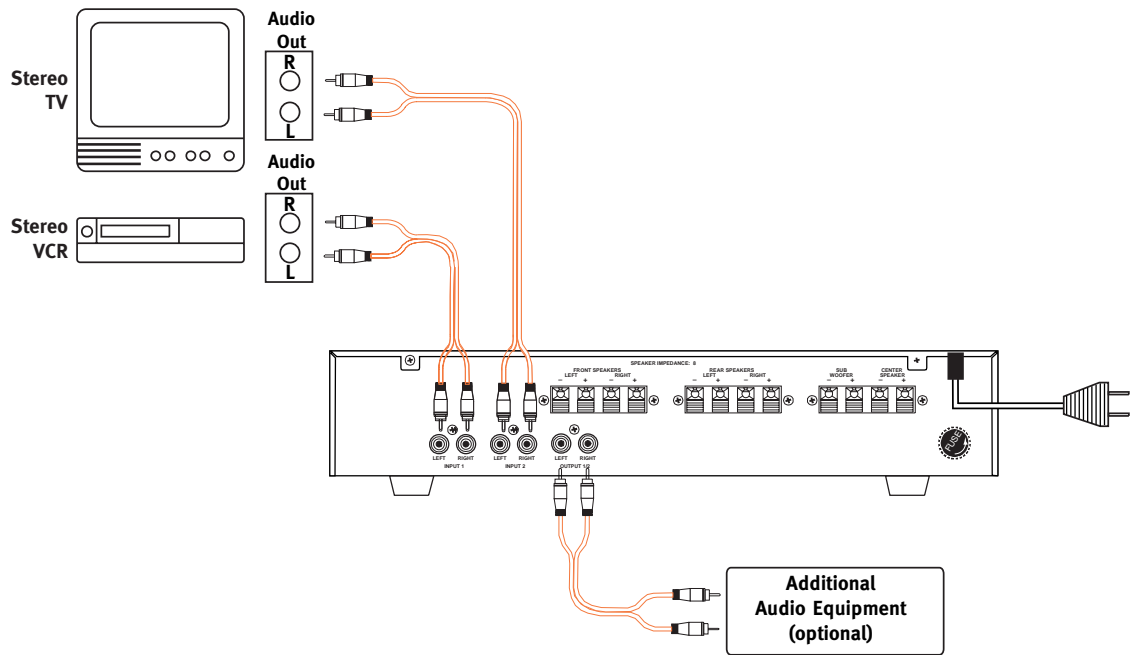
Back of Speaker



Red Black
Make sure you match RED to RED and BLACK to BLACK on both ends.

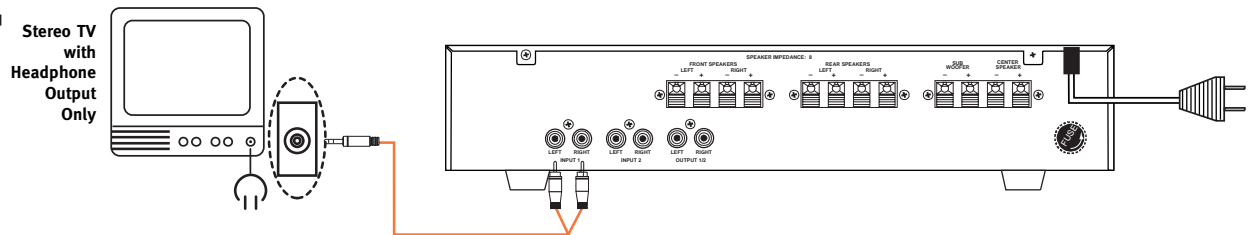
Source Connection (TV or VCR)

3



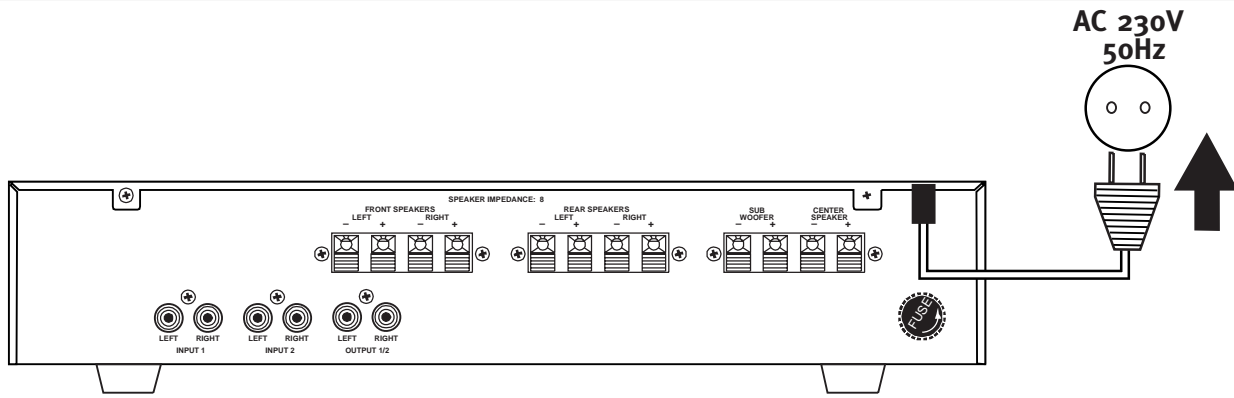
Source Connection (Headphone)

4



Plug-In

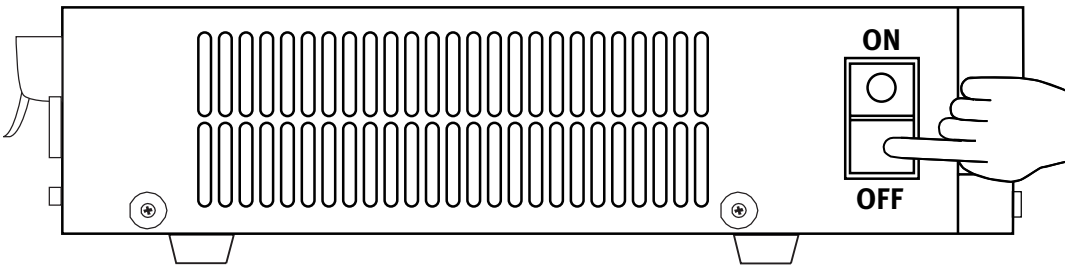
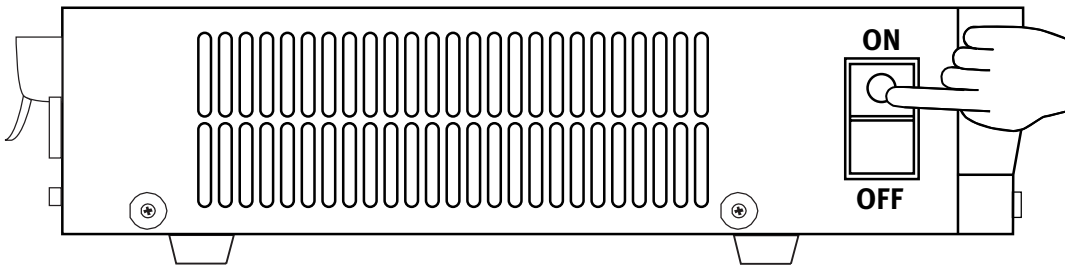
5



Turn-On

6

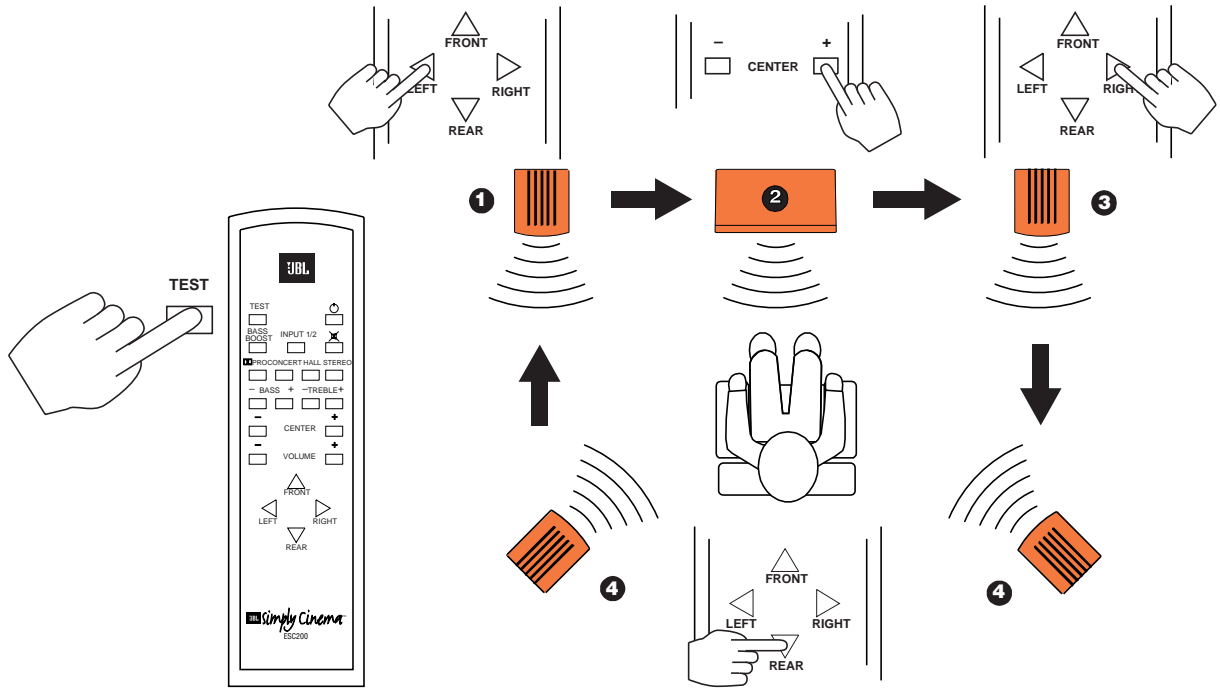
The Master Power switch should be turned off when the unit will be unused for a long period of time.



*Note: The unit will return to default settings when the Master Power switch is turned off.

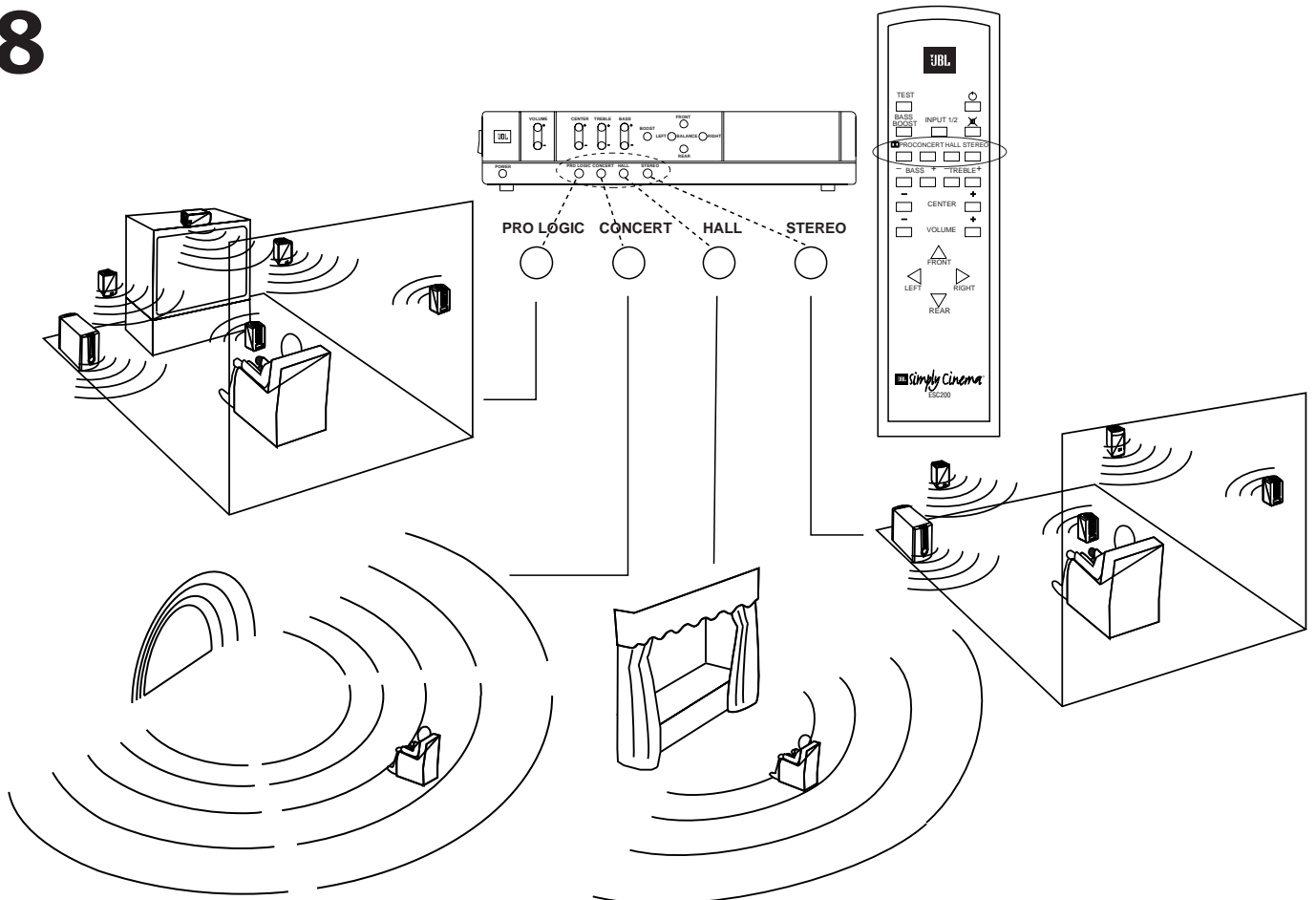
Test

7



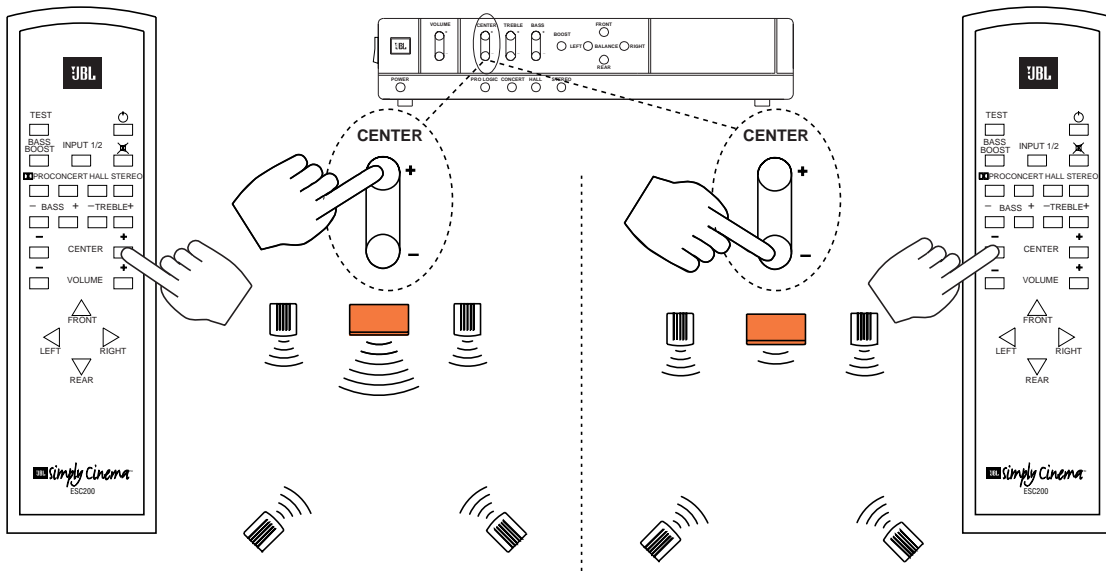
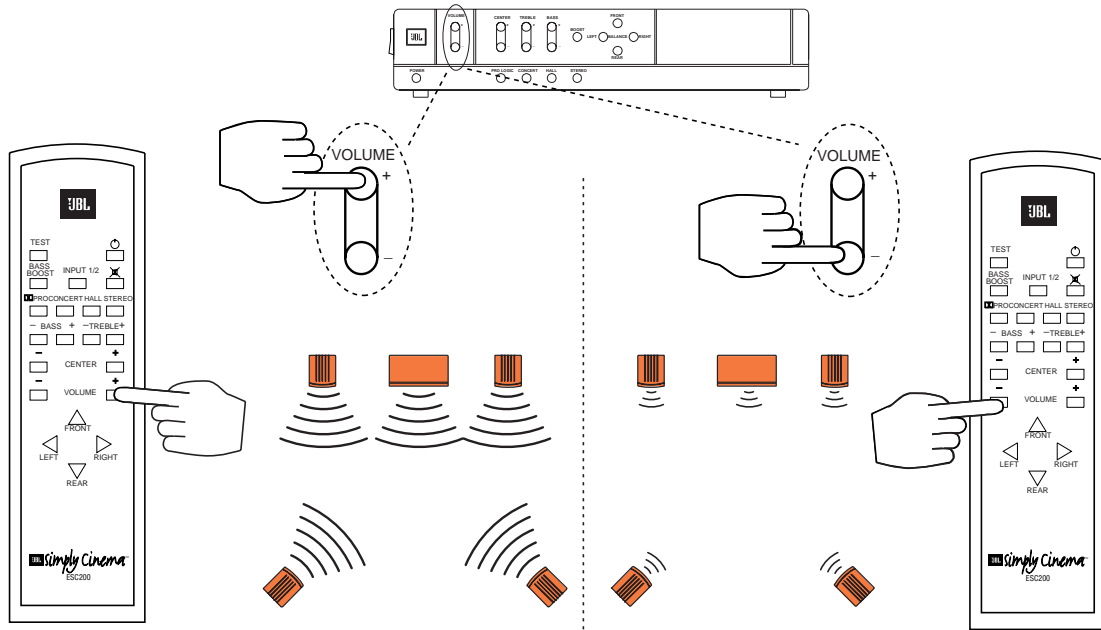
Surround Modes

8



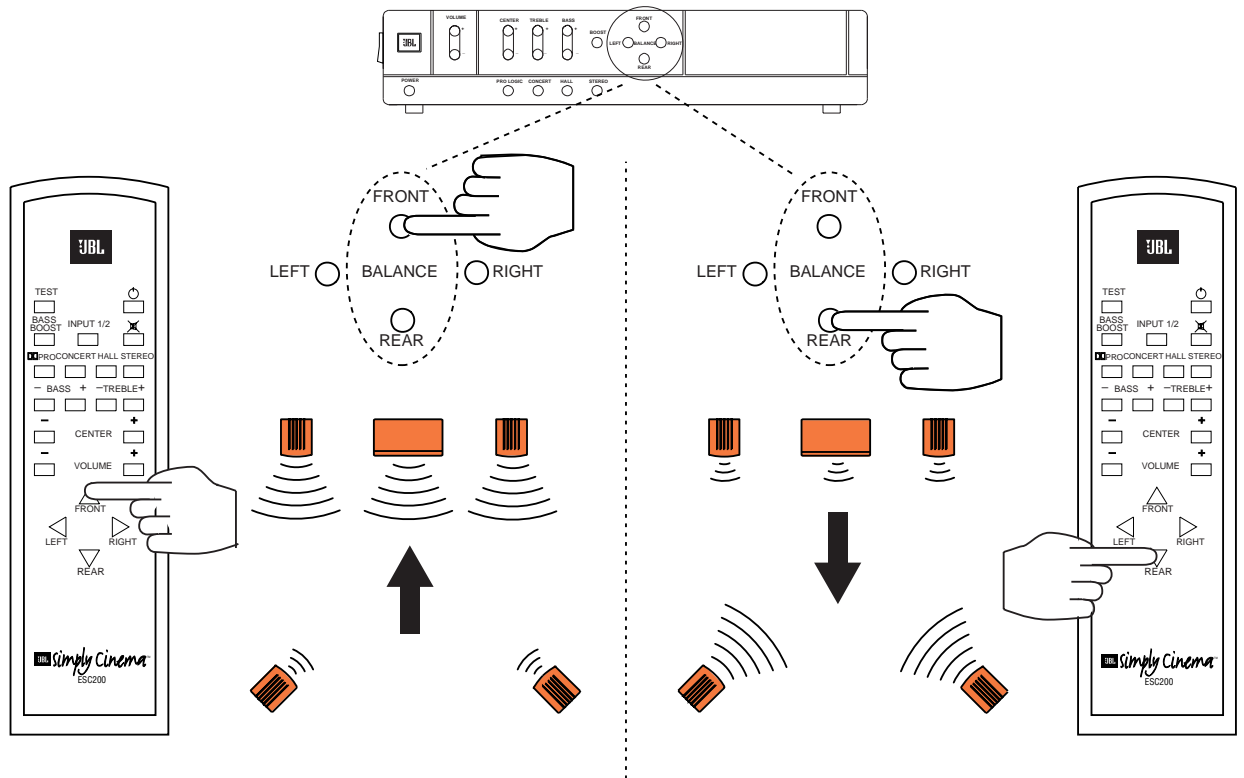
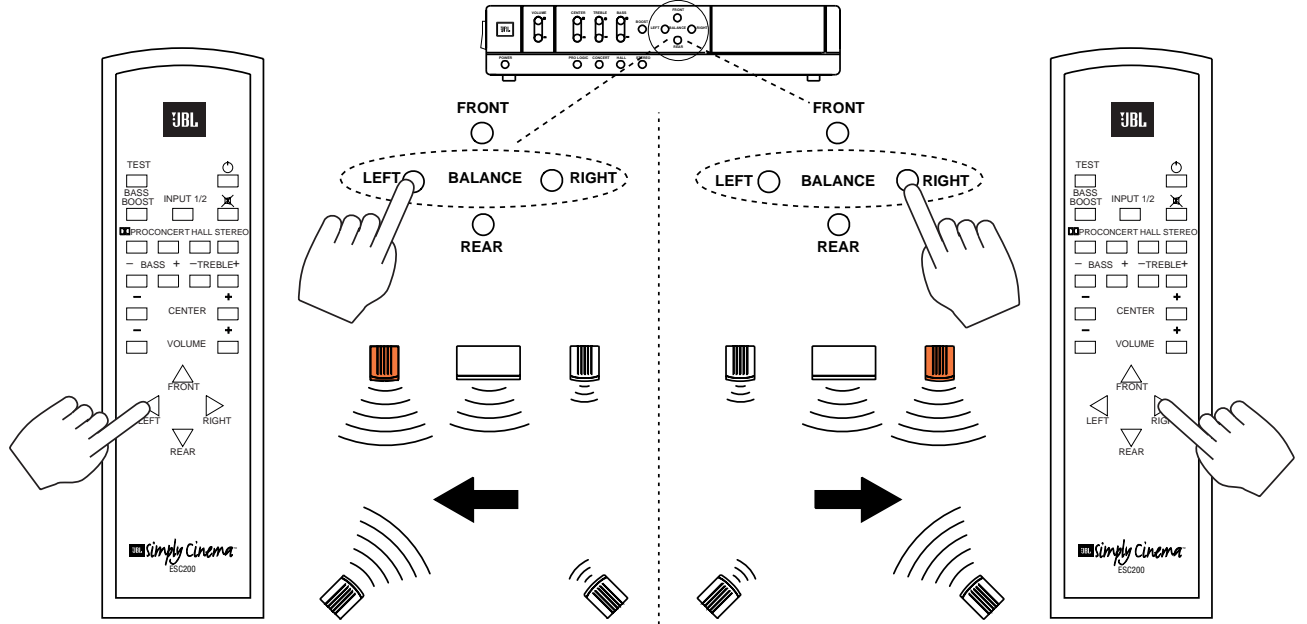
Volume

9



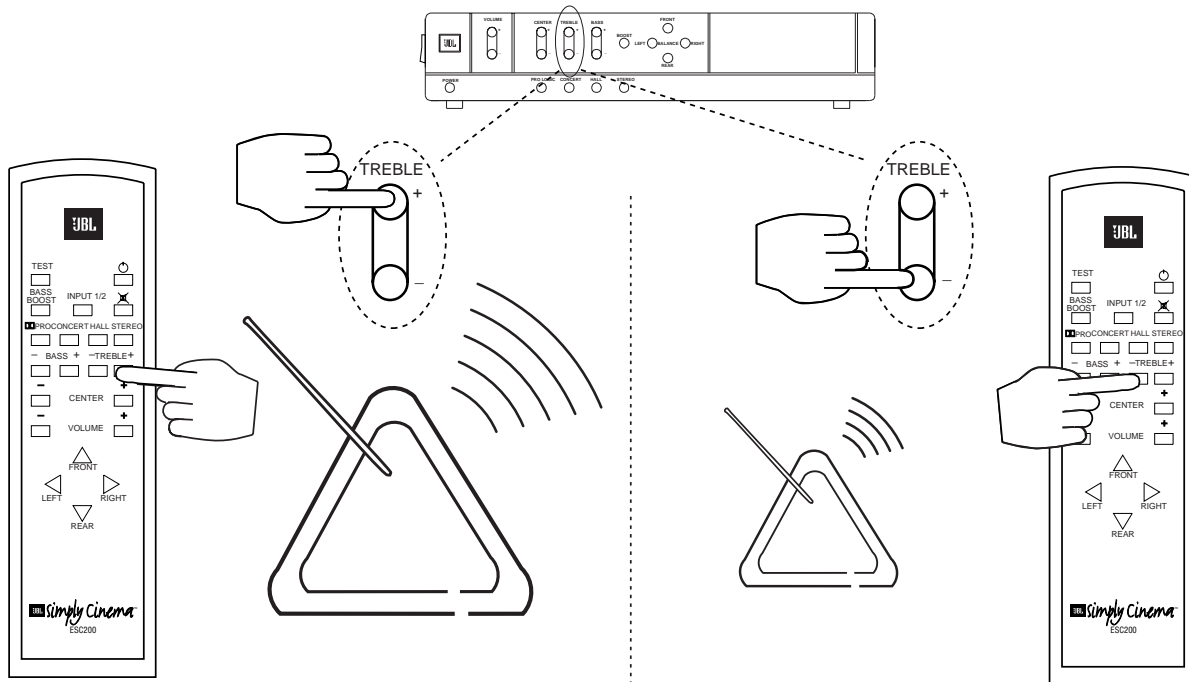
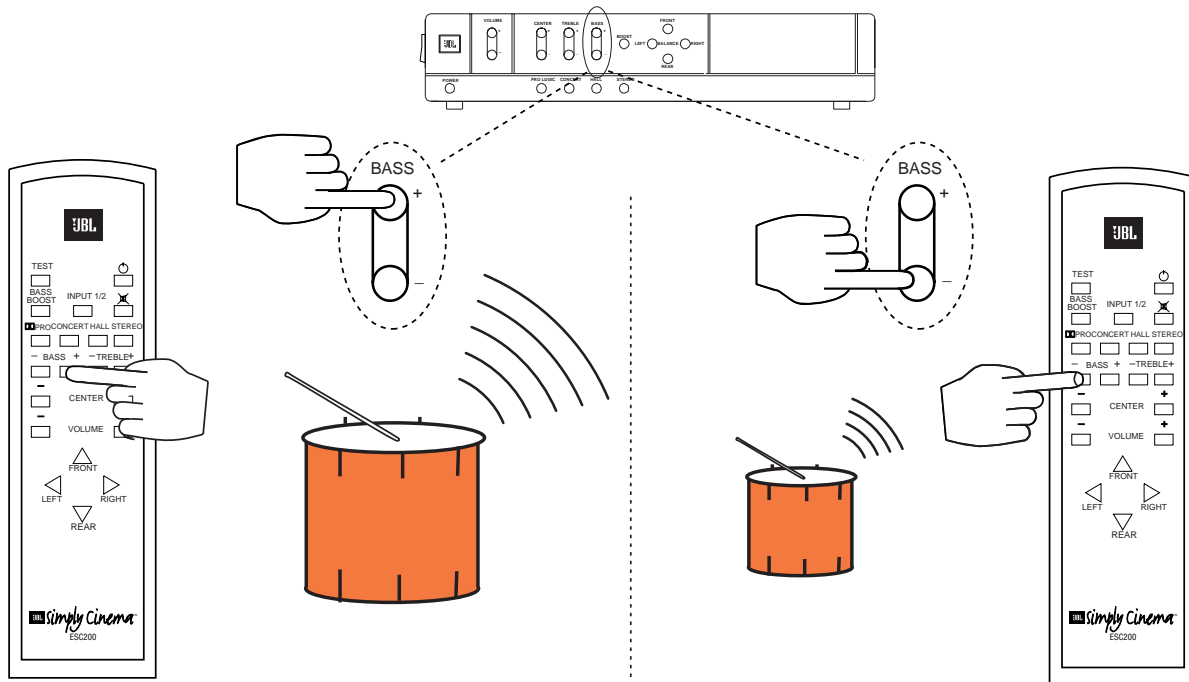
Balance

10



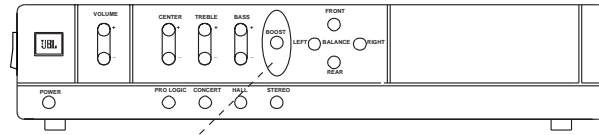
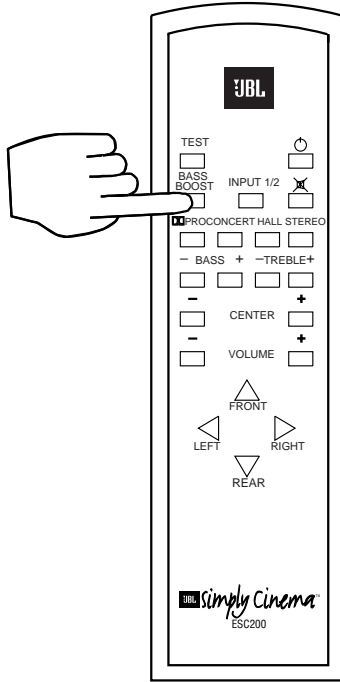
Bass & Treble

11

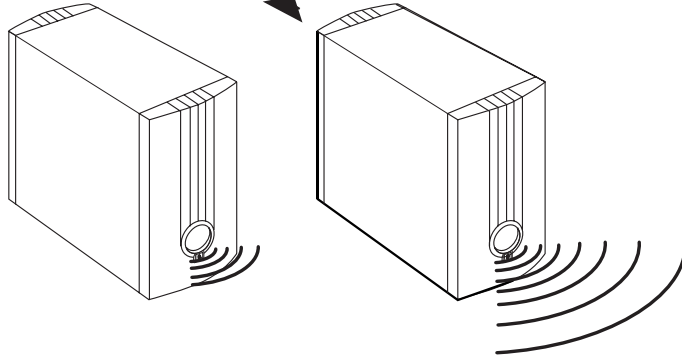


Bass Boost

12



BOOST



Troubleshooting

If you hear no sound at all, check the following:

- Make sure the processor/amplifier is plugged into a live electrical outlet and that the power switch is on.
- Check the connections from the TV or VCR to the processor/amplifier.
- If using with a television, make sure the TV is on and a signal is present.

• If using with a VCR, make sure the VCR is playing a tape.

• Check all connections between processor/amplifier and each of the speakers.

If one or more of the speakers does not play, check the following:

- Check all connections between processor/amplifier and each of the speakers.
- Adjust the balance controls from left to right and front to rear.

If you have very little bass output, check the following:

- Make sure the subwoofer is connected properly to the processor/amplifier.
- Experiment with placement of subwoofer. Remember, place the subwoofer in a corner to get maximum bass output from the system.
- Make sure "Bass Boost" is on.
- Adjust "Bass" level.

If there is no sound coming from the rear speakers or the volume is very low, check the following:

- Check all connections between processor/amplifier and each of the speakers.
- Adjust the front-rear balance controls on the processor/amplifier.
- Make sure the TV show or movie you are watching is recorded in Dolby Surround. If it is not, try the "Concert Hall" or "Stereo" settings on the processor/amplifier.

Specifications

For Surround Speaker System

Power Handling (RMS)

Frequency Response

Sensitivity (1 watt/1 meter)

Nominal Impedance

Woofers Size

Tweeter Size

Dimensions (HxWxD)

Satellite Speakers

20 watts

120Hz – 20kHz

87dB

8 ohms

3"

1"

4-1/16 x 7-1/2 x 7-3/8 inches

103 x 190 x 187mm

Subwoofer

60 watts

35Hz – 200Hz

90dB

6 ohms

6-1/2"

7-3/4 x 13-7/8 x 17-3/4 inches

198 x 354 x 451mm

Processor Amplifier

Total Maximum Amplifier Output – 100 watts

Dimensions (HxWxD) – 2-11/16 x 13-1/2 x 9 inches (69 x 343 x 230mm)



JBL Consumer Products

80 Crossways Park West, Woodbury, NY 11797

8500 Balboa Boulevard, Northridge, CA 91329

© 1996 JBL, Incorporated. JBL and Simply Cinema are registered trademarks of JBL, Incorporated. Manufactured under license from Dolby Laboratories Licensing Corporation. "Dolby," the double-D symbol and "Pro Logic" are trademarks of Dolby Laboratories Licensing Corporation.

♻️ Part No. ESC200OME **H** A Harman International Company

