

JBL

GTO SERIES



Component Systems Owner's Manual

GT0505C

GT0605C

Installation Warnings and Tips JBL GTO Series Component Systems

About These Instructions

Installation of automotive stereo components can require extensive experience with a variety of mechanical and electrical procedures. Although these instructions explain how to install a GTO Series Component System in a general sense, they do not show the exact installation methods for your particular vehicle. If you feel you do not have the experience, do not attempt the installation yourself, but instead ask your authorized JBL car audio dealer about professional installation options.

Loud Music and Hearing

Playing loud music in an automobile can permanently damage your hearing, as well as hinder your ability to hear traffic. The maximum volume levels achievable with JBL speakers, combined with high power amplification, may exceed safe levels for extended listening. We recommend using low volume levels when driving. JBL accepts no liability for hearing loss, bodily injury, or property damage as a result of use or misuse of this product.

Rear Deck Precaution

In some cars, fuel tanks may be located directly beneath the rear deck. Before installation, make sure there is adequate speaker-basket clearance before considering this location!

About the Contents

Each JBL GTO Component System includes the following items:

- (2) 5-1/4", 6-1/2" or 165mm woofers
- (2) grilles and mounting adapter(s)
- (2) 1" tweeters with surface/flush I-Mount™ (patent no. 5,859,917) kits
- (1) crossover network with mounting screws

The supplied crossover network is designed to work with the above transducers. **Do not substitute another crossover network or use other speakers when connecting the system** (see Figure 7 on page 3).

General Care

The loudspeaker grilles may be cleaned with a damp cloth. Do not use any cleaners or solvents on the grilles or the speaker cones.

Installation Tips

- Always wear protective eyewear when using any tools.
 - Turn off all audio components and other electrical devices before you start. Disconnect the negative (-) lead from your vehicle's battery.
 - Keep speakers in their package until final installation. When moving a speaker, always rest it with the cone or dome facing up. Never use force to install any speaker.
 - Check clearances on both sides of a planned mounting surface before drilling any holes or installing any screws. Remember that the screws can extend behind the surface.
 - At the installation sites, locate and make a note of all fuel lines, hydraulic brake lines, vacuum lines and electrical wiring. Use extreme caution when cutting or drilling in and around these areas.
 - Before drilling or cutting holes, use a utility knife to remove unwanted fabric or vinyl to keep material from snagging in a drill bit or saw.
- For door installations, check the clearance with the windows throughout the range of the window's travel, and verify that a mounted speaker will not interfere with the window crank or power-window mechanism.
 - If mounting speakers elsewhere, check for clearance around rear-deck torsion bars, glove box or other structural elements.
 - Do not mount speakers where they will get wet.

Installation and Connections JBL GTO Series Component Systems

Figure 1. Mounting the GTO505C woofer with the grille.

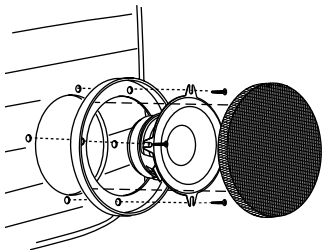


Figure 2. Mounting the GTO605C woofer with the grille.

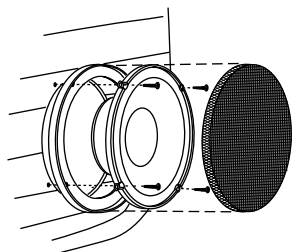


Figure 3. Mounting the GTO605C woofer in a standard speaker location. A variety of adapter rings are supplied to fit many installation configurations.

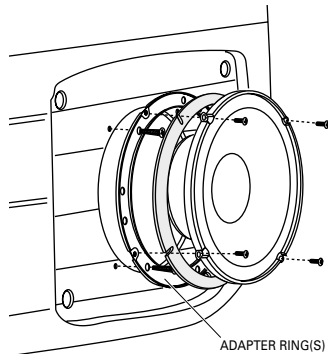


Figure 4. Mounting the tweeter using the I-Mount™ flush-mounting kit. Also see Figure 5.

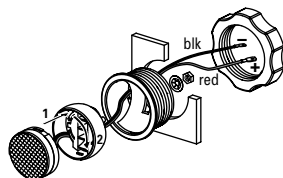


Figure 5. Aiming the tweeter at a desired listening position.

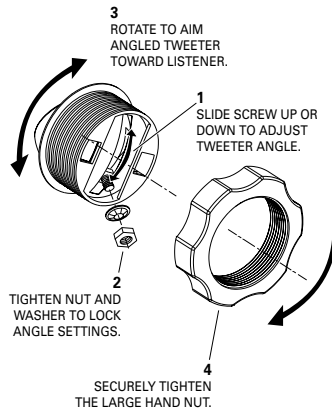


Figure 6. Mounting the tweeter using the surface-mounting kit.

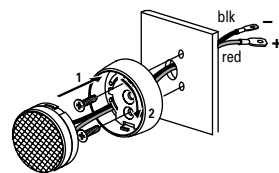


Figure 7. Wiring connections on the crossover network (shown with cover on).

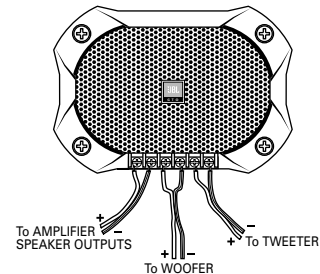
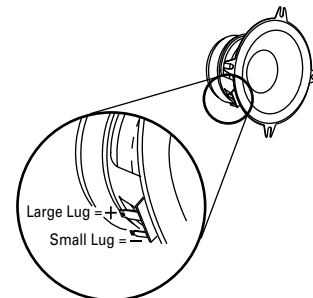


Figure 8. Locating wiring connections on the GTO505C woofer. The GTO605C woofer is wired similarly.



Specifications JBL GTO Series Component Systems

	GTO505C	GTO605C
Type	5-1/4" 2-way component	6-1/2" 2-way component
System Frequency Response	70Hz – 21kHz	55Hz – 21kHz
Woofers		
Speaker Impedance	4 ohms	4 ohms
Power Handling	75W RMS, 225W peak	90W RMS, 270W peak
Sensitivity (2.83V, 1m)	92dB	92dB
Mounting Depth	2-3/16" (56mm)	2-1/16" (53mm)
Cut-out Diameter	4-5/8" (118mm)	5-1/16" (129mm)
Tweeters		
Speaker Impedance	4 ohms	4 ohms
Power Handling	50W RMS, 150W peak	50W RMS, 150W peak
Sensitivity (2.83V, 1 m)	91dB	91dB

JBL Consumer Products • 250 Crossways Park Drive, Woodbury, NY 11797 USA
1-800-336-4JBL (4525) www.jbl.com

©2001 JBL, Incorporated • JBL is a registered trademark of JBL, Incorporated

Made in USA Printed in USA 3/01  Part No. GTOCOMPSYSDM3/01

H A Harman International Company



Declaration of Conformity



We, Harman Consumer International
2, route de Tours
72500 Chateau-du-Loir
FRANCE

declare in own responsibility, that the products described in this owner's manual are in compliance with technical standards:

EN 50081-1:1992

EN 50082-1:1992



Lutz Uphoff
Harman Consumer International
Chateau-du-Loir, France. 3/01